



US00D633870S

(12) **United States Design Patent**
Thommes

(10) **Patent No.:** **US D633,870 S**

(45) **Date of Patent:** **** *Mar. 8, 2011**

(54) **ELECTRIC PLUG AND LIGHT BULB BASE LUBRICATOR**

(76) Inventor: **Dean C. Thommes**, Stuart, FL (US)

(*) Notice: This patent is subject to a terminal disclaimer.

(**) Term: **14 Years**

(21) Appl. No.: **29/338,745**

(22) Filed: **Jun. 17, 2009**

Related U.S. Application Data

(63) Continuation-in-part of application No. 29/335,695, filed on Apr. 20, 2009.

(51) **LOC (9) Cl.** **13-03**

(52) **U.S. Cl.** **D13/139.1; D26/113**

(58) **Field of Classification Search** .. D13/137.1-137.4, D13/138.1, 138.2, 139.1-139.8, 107-108, D13/110, 133, 146, 147, 154, 156, 184, 199; D14/433; 174/53-58, 66; 439/105-107, 439/535, 650-655, 638, 692, 502, 505, 242, 439/239, 236, 237, 232; 337/189, 198; D26/24, D26/113, 138; 362/253, 640, 647, 257, 382, 362/440, 441, 457, 458

See application file for complete search history.

(56) **References Cited**

U.S. PATENT DOCUMENTS

1,392,091	A	*	9/1921	Thomas	439/653
1,876,823	A	*	9/1932	Adams	337/197
2,448,339	A	*	8/1948	Williams	200/51.02
2,474,454	A	*	6/1949	Avery	439/259
2,994,849	A	*	8/1961	Mussari, Jr.	439/105
3,060,293	A	*	10/1962	Lapidus	337/4
3,242,455	A	*	3/1966	Horvath et al.	439/105
3,525,971	A	*	8/1970	Glassman	439/105
3,626,354	A	*	12/1971	Banner	439/105
D238,176	S	*	12/1975	Korman	D13/137.1
D244,861	S	*	6/1977	D'Amato	D13/138.1

D295,622	S	*	5/1988	Good et al.	D13/137.3
D297,634	S	*	9/1988	Poliak et al.	D13/139.7
D371,112	S	*	6/1996	Anthony	D13/146
D375,081	S	*	10/1996	Sandor et al.	D13/139.1
D375,292	S	*	11/1996	D'Amato	D13/137.1
D407,371	S	*	3/1999	Pudims et al.	D13/138.2
6,398,589	B1	*	6/2002	Congelliere	439/655
D495,663	S	*	9/2004	Chawgo	D13/156
6,840,813	B2	*	1/2005	Kim	439/651
D510,067	S	*	9/2005	Miller	D13/137.4
7,249,976	B1	*	7/2007	Watson	439/651
D560,610	S	*	1/2008	McCoy	D13/146
7,422,486	B2	*	9/2008	Hoff et al.	439/660
D586,495	S	*	2/2009	Watanabe et al.	D26/113
D586,940	S	*	2/2009	Itakura et al.	D26/113
D586,941	S	*	2/2009	Itakura et al.	D26/113
D598,158	S	*	8/2009	Watanabe et al.	D26/113
D603,085	S	*	10/2009	Kovacs et al.	D26/113
D612,530	S	*	3/2010	Leung	D26/113

* cited by examiner

Primary Examiner—Rosemary K Tarcza

(74) *Attorney, Agent, or Firm*—McHale & Slavin, P.A.

(57) **CLAIM**

The ornamental design for a electric plug and light bulb base lubricator, as shown and described.

DESCRIPTION

FIG. 1 is a top perspective view of the electric plug and light bulb base lubricator of the instant invention;

FIG. 2 is a side view thereof;

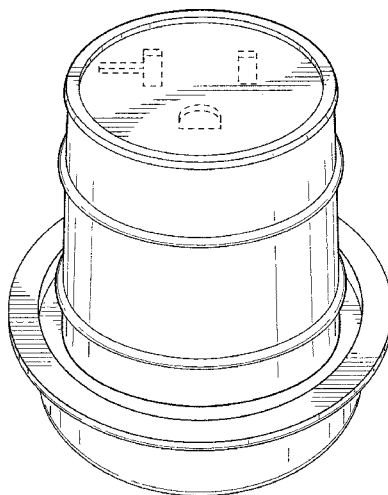
FIG. 3 is a top view thereof;

FIG. 4 is a bottom view thereof; and,

FIG. 5 is a perspective view thereof, with the environment shown in broken lines.

The broken lines shown in the drawings are included for purpose of illustrating environmental structure and form no part of the claimed design.

1 Claim, 5 Drawing Sheets



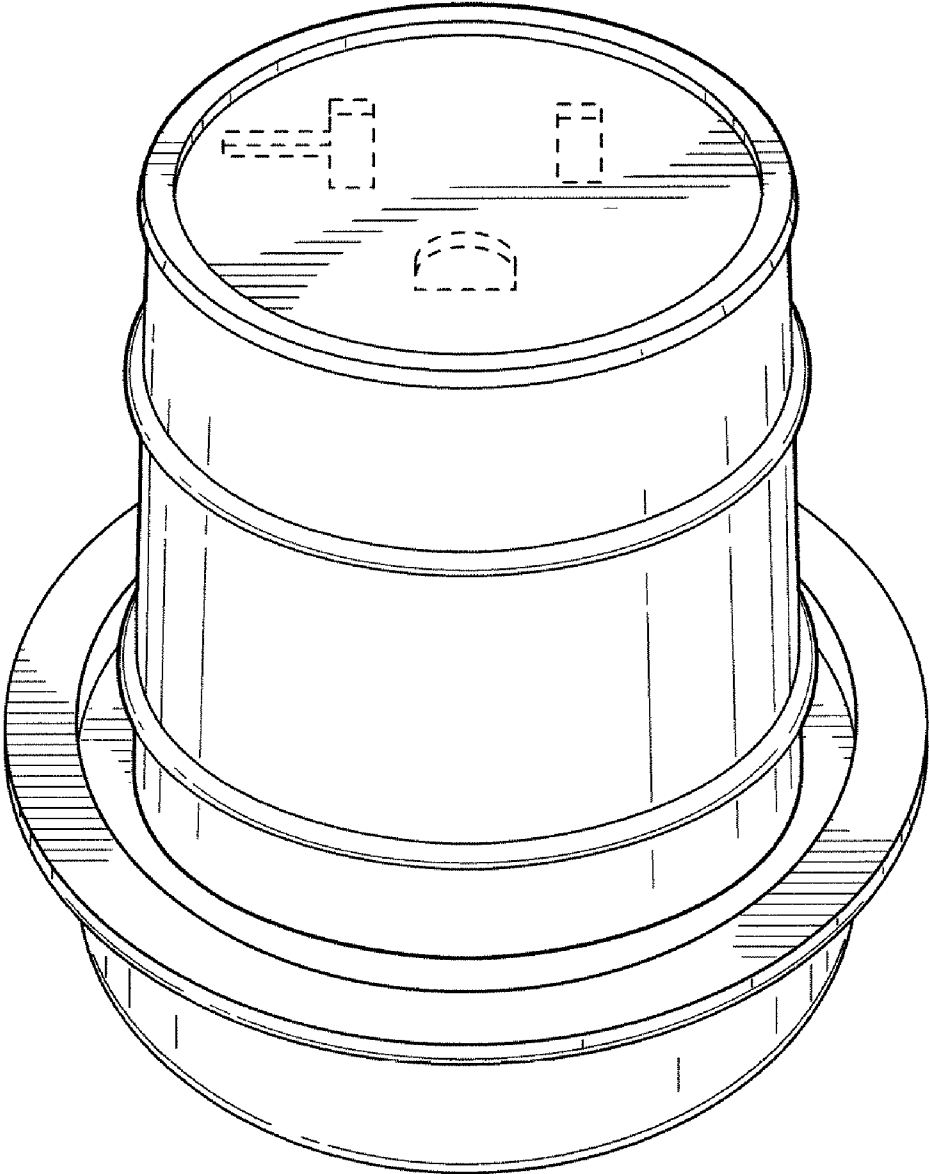


FIG. 1

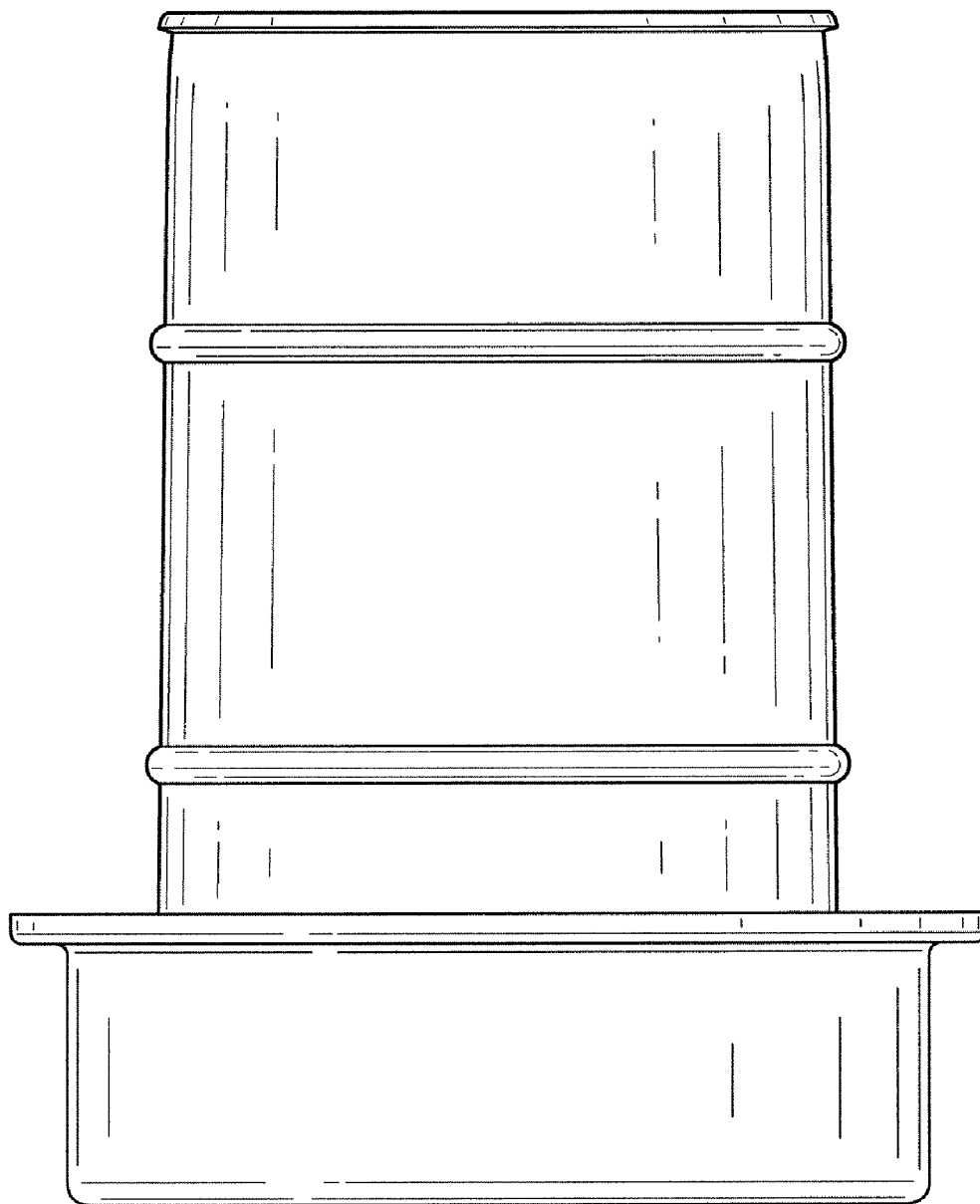


FIG. 2

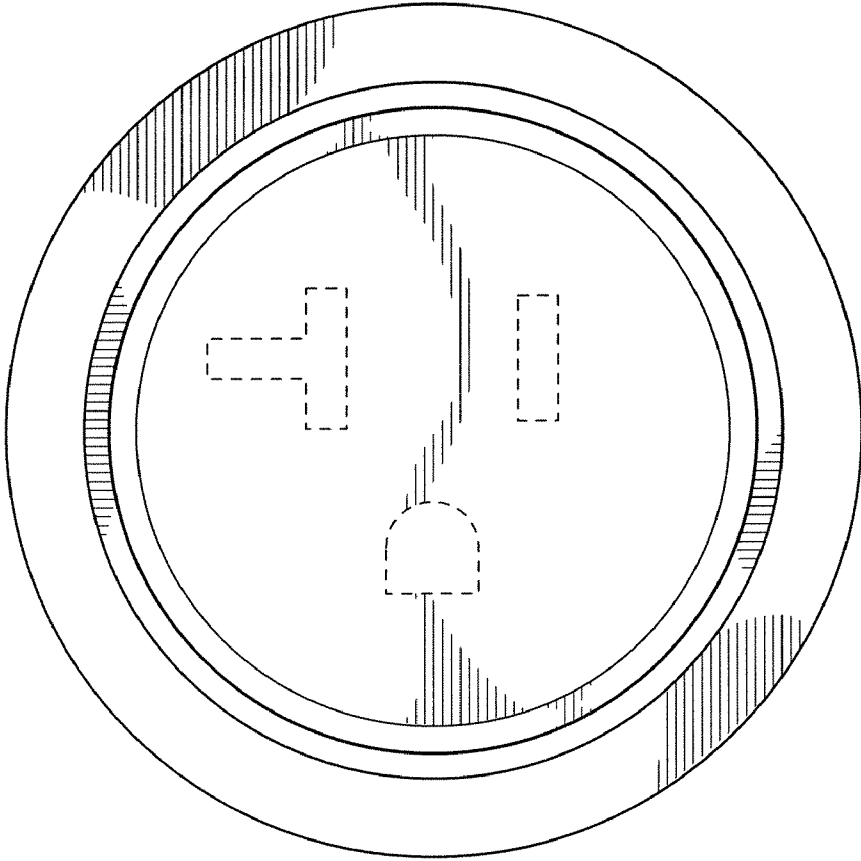


FIG. 3

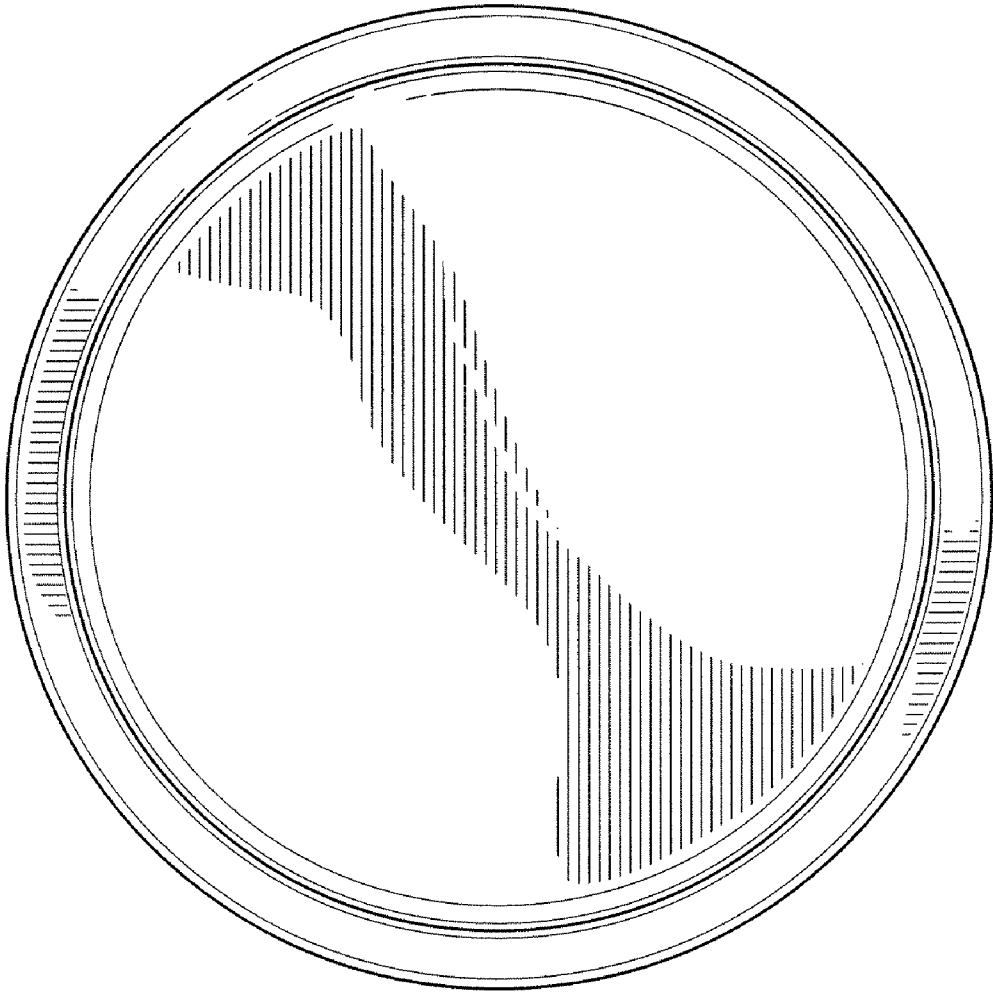


FIG. 4

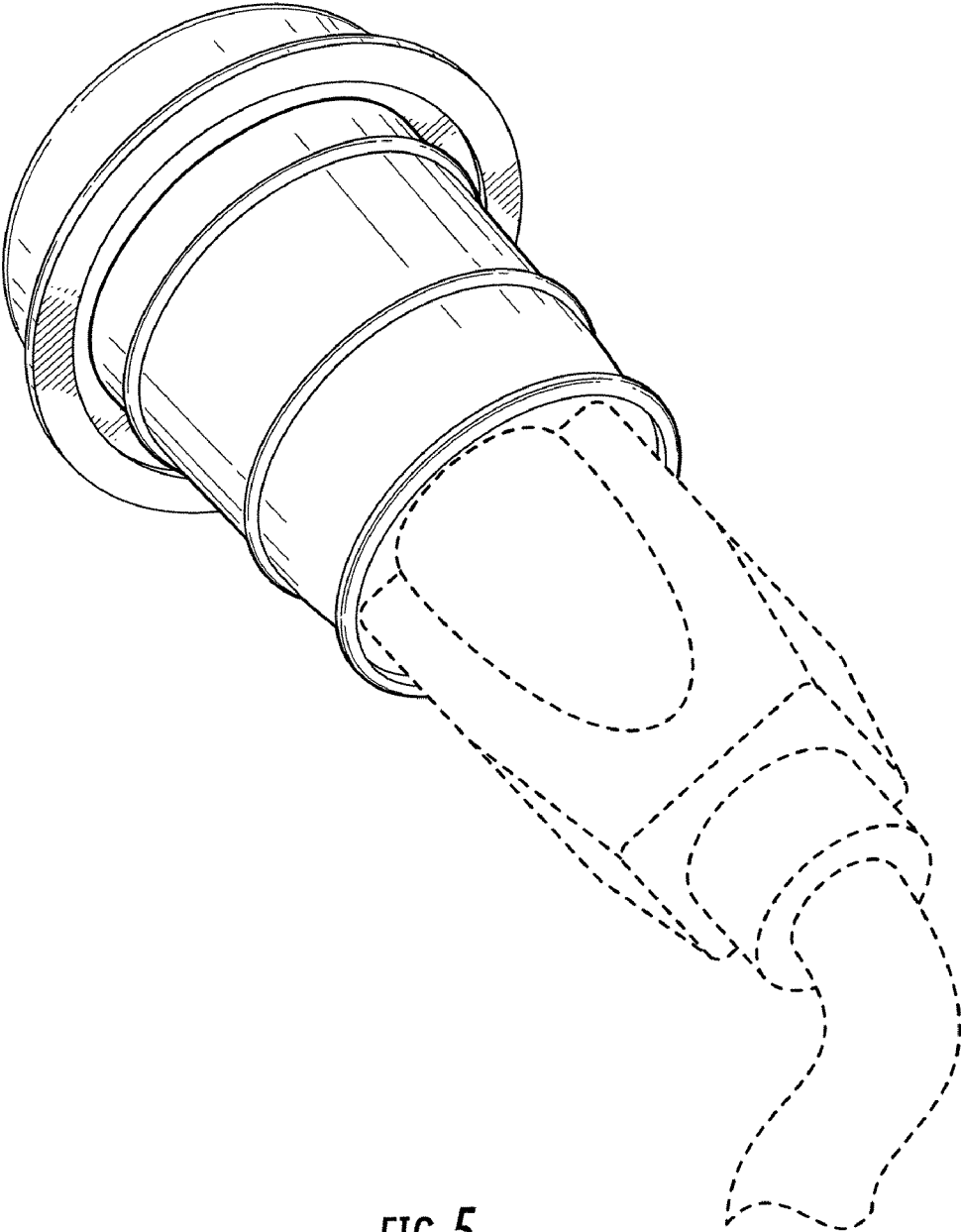


FIG. 5