



US00D543926S

(12) **United States Design Patent**
Kutzler

(10) **Patent No.:** **US D543,926 S**

(45) **Date of Patent:** **** Jun. 5, 2007**

(54) **CAR STOP FOR GARAGE**

(76) Inventor: **John M. Kutzler**, 1715 8th St.,
Waukegan, IL (US) 60085

(**) Term: **14 Years**

(21) Appl. No.: **29/223,519**

(22) Filed: **Feb. 16, 2005**

(51) **LOC (8) Cl.** **12-06**

(52) **U.S. Cl.** **D12/217**

(58) **Field of Classification Search** D12/217,
D12/400, 120, 203; D6/601; D34/27, 32,
D34/38; D8/402; 280/293; 410/30, 49;
14/69.5; 211/20; 188/32, 36; 254/88; 248/346.1,
248/352; 186/52; 116/63 R, 28 R; 428/156
See application file for complete search history.

(56) **References Cited**

U.S. PATENT DOCUMENTS

213,203 A *	3/1879	Jewell	188/32
571,641 A *	11/1896	Boose	188/32
1,797,294 A *	3/1931	McMullen	188/32
1,971,402 A *	8/1934	Goss	188/32
2,797,774 A *	7/1957	Eckhart	188/32
2,998,102 A *	8/1961	Deverich	188/32
3,113,642 A *	12/1963	Lay	188/32
3,368,518 A	2/1968	Anthony	116/63 R
D223,771 S *	6/1972	Roney	D12/217
3,720,406 A *	3/1973	Artz	188/32
4,433,636 A	2/1984	Crouch	116/28 R
4,582,176 A *	4/1986	Roberts	188/32
4,781,271 A *	11/1988	Wokeck	188/32
4,911,270 A *	3/1990	Hudson	188/32

4,917,219 A *	4/1990	Henry	188/32
D314,938 S *	2/1991	Anderson	D12/217
5,028,920 A	7/1991	Dombrowski	340/904
5,406,395 A	4/1995	Wilson et al.	359/15
D404,001 S *	1/1999	Henry	D12/217
D409,133 S *	5/1999	Henry	D12/217
D412,481 S *	8/1999	Henry	D12/217
6,439,543 B1 *	8/2002	Peckham	248/352
6,681,901 B2 *	1/2004	Agtuca	188/32
D503,139 S *	3/2005	Colak et al.	D12/217
D512,950 S *	12/2005	Kondo	D12/217
7,070,024 B2 *	7/2006	Scheffer	186/52

* cited by examiner

Primary Examiner—Stacia Cadmus

(74) *Attorney, Agent, or Firm*—Donald R. Schoonover

(57) **CLAIM**

I claim the ornamental design for a car stop for garage, as shown and described.

DESCRIPTION

FIG. 1 is a perspective view of a car stop for garage showing my new design with one anchor cover removed;

FIG. 2 is a front elevational view thereof;

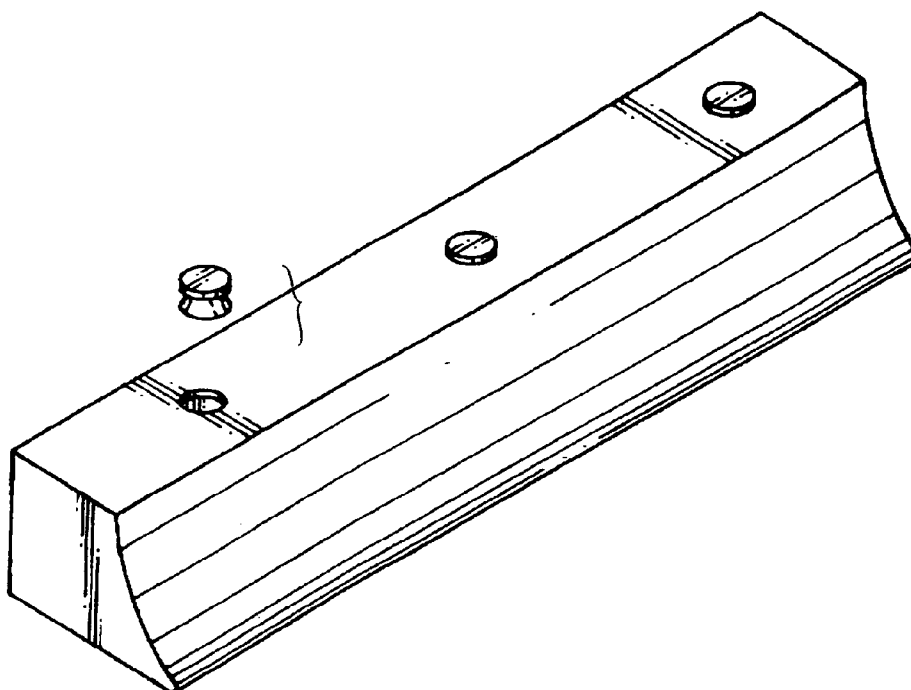
FIG. 3 is a rear elevational view thereof;

FIG. 4 is an end elevational view thereof, the elevational view of the opposing end being a mirror image thereof;

FIG. 5 is a top plan view thereof; and,

FIG. 6 is a bottom plan view thereof.

1 Claim, 3 Drawing Sheets



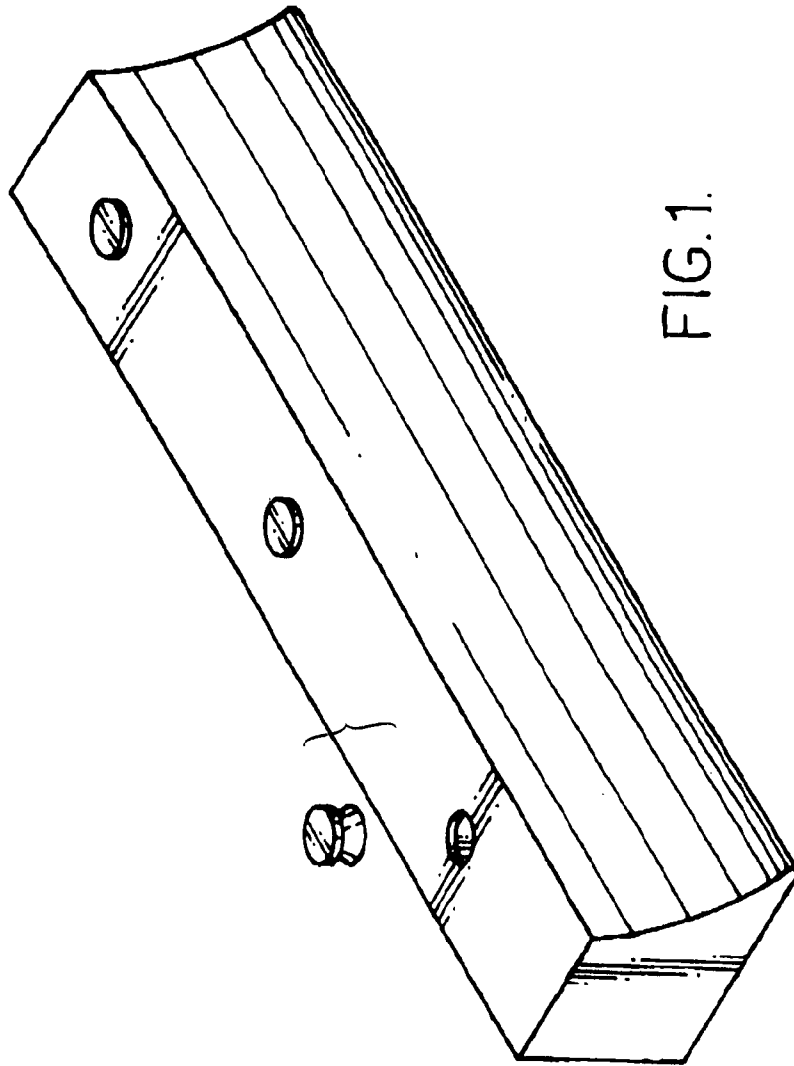


FIG. 1.

FIG.2.

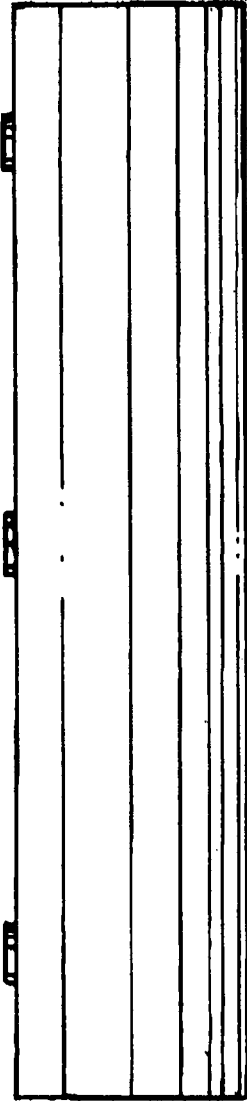


FIG.3.

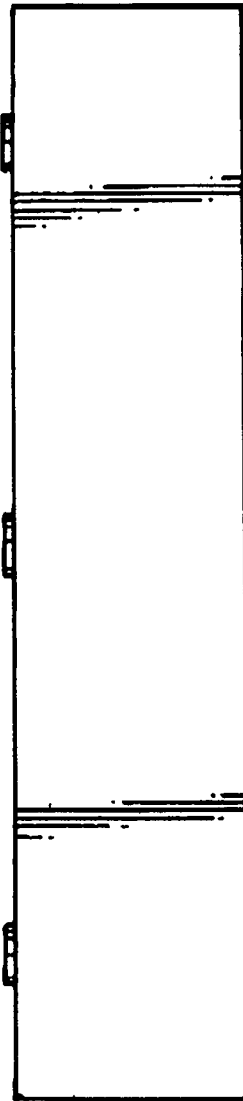


FIG.4.

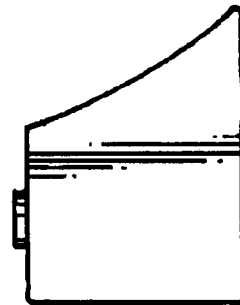


FIG. 5.

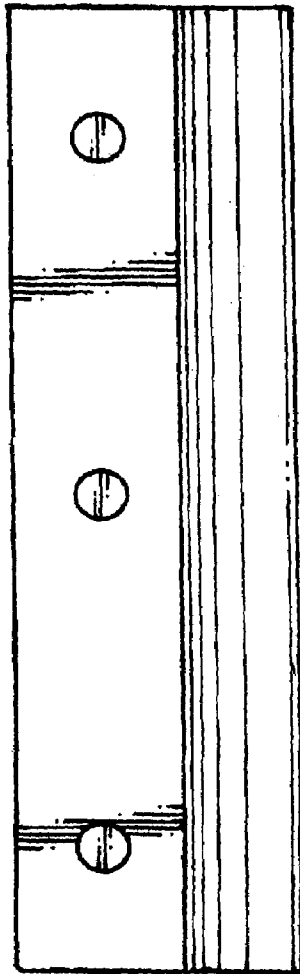


FIG. 6.

