



US00D519735S

(12) **United States Design Patent**
Bentley et al.

(10) **Patent No.:** **US D519,735 S**

(45) **Date of Patent:** **** May 2, 2006**

(54) **CLOTHES HANGER STORAGE DEVICE**

(75) Inventors: **Renee M. Bentley**, 2155 N. Glennfield Way, Meridian, ID (US) 38642; **Taylor Jenkins**, Nampa, ID (US)

(73) Assignee: **Renee M. Bentley**, Meridian, ID (US)

(**) Term: **14 Years**

(21) Appl. No.: **29/218,351**

(22) Filed: **Nov. 30, 2004**

(51) **LOC (8) Cl.** **03-01**

(52) **U.S. Cl.** **D3/304**

(58) **Field of Classification Search** D3/20, D3/200, 201, 203.1, 203.3, 205, 206, 273, D3/276, 304-315; D6/525, 475, 476; D19/75, D19/77, 86, 90, 92, 100; 206/203, 214, 215, 206/822, 307.1; 229/100, 914, 913, 406
See application file for complete search history.

(56) **References Cited**

U.S. PATENT DOCUMENTS

13,465 A	8/1855	Lawton	
623,594 A	4/1899	Burt	
653,699 A	7/1900	Robinson	
683,356 A	9/1901	Todd	
947,847 A	2/1910	Recht	
1,015,605 A	1/1912	Wilt et al.	
1,382,092 A	6/1921	Kilmer	
1,591,087 A	7/1926	Holliday	
1,601,180 A	9/1926	Lindgren	
1,740,828 A	12/1929	Morrison	
1,999,879 A	4/1935	Lee	206/46
2,082,007 A	6/1937	Joseph	206/7
2,175,324 A	* 10/1939	Stamp	249/92
2,370,417 A	2/1945	Preston	206/65
2,530,609 A	11/1950	Friedman	211/49
3,115,968 A	12/1963	Peterson	206/56
D222,085 S	9/1971	Boley	D33/17
D237,442 S	11/1975	Kiggins et al.	D6/181
4,016,981 A	4/1977	Hildt	211/49 R
4,085,875 A	4/1978	Campbell et al.	224/45 K
4,424,905 A	1/1984	Keen	211/49 R
4,611,718 A	9/1986	Cohn et al.	211/49.1

4,722,438 A	2/1988	Hicks	206/300
4,957,206 A	9/1990	Banko et al.	211/40
4,958,841 A	9/1990	Keen	280/47.35
5,176,252 A	1/1993	Davis	206/300
D335,402 S	5/1993	Eckner	D6/462
5,265,558 A	* 11/1993	Schonrock	119/28.5
D359,013 S	* 6/1995	Carlson	D11/156
D382,402 S	8/1997	Pawuk et al.	D3/304
D392,818 S	3/1998	Shawhan	D6/467
5,833,184 A	11/1998	Scola	248/176.1
D403,862 S	1/1999	Jones	D3/304
5,924,578 A	7/1999	McKenzie	211/49.1
D417,802 S	12/1999	Spurgeon et al.	D6/467
D421,686 S	3/2000	Wacks	D6/466
6,109,457 A	8/2000	Dahnke	211/49.1
D436,728 S	* 1/2001	Harding	D3/304
6,230,904 B1	5/2001	Licari	211/49.1
D465,352 S	11/2002	Kim	D6/462
D482,374 S	* 11/2003	Fan	D15/90

* cited by examiner

Primary Examiner—Louis S. Zarfes
Assistant Examiner—John Windmuller
(74) *Attorney, Agent, or Firm*—Pendersen & Co., PLLC; Ken J. Pederson; Barbara S. Pedersen

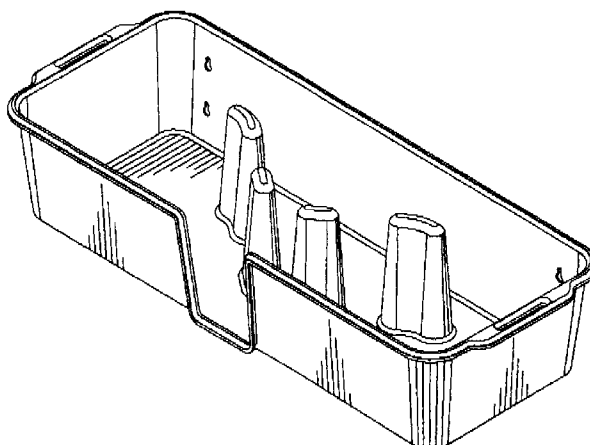
(57) **CLAIM**

The ornamental design for an clothes hanger storage device, as shown and described.

DESCRIPTION

FIG. 1 is a front perspective view of a clothes hanger storage device showing our new design; FIG. 2 is a top plan view thereof; FIG. 3 is a front elevational view thereof; FIG. 4 is a rear elevational view thereof; FIG. 5 is a bottom plan view thereof; FIG. 6 is a left side elevational view thereof; FIG. 7 is a right side elevational view thereof; FIG. 8 is a front perspective view thereof with brackets; and, FIG. 9 is a front perspective view thereof with a lid. The broken line showing of brackets and a lid in FIGS. 8 and 9 is for illustrative purposes only and forms no part of the claimed design.

1 Claim, 3 Drawing Sheets



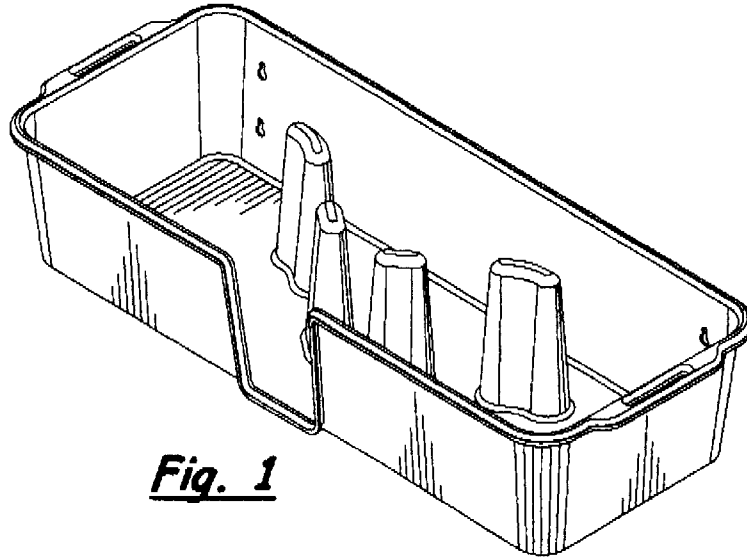


Fig. 1

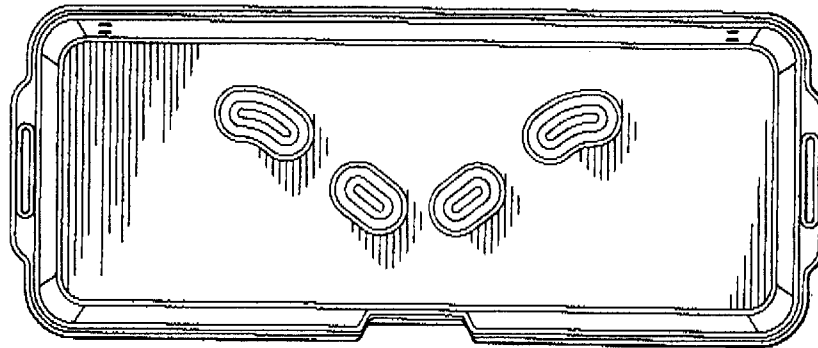


Fig. 2

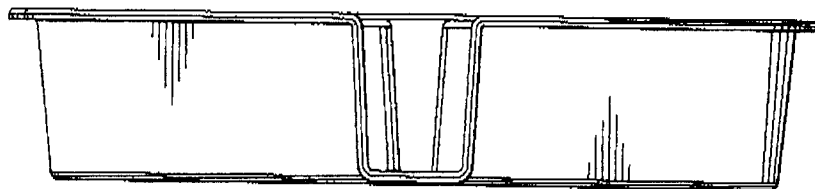


Fig. 3

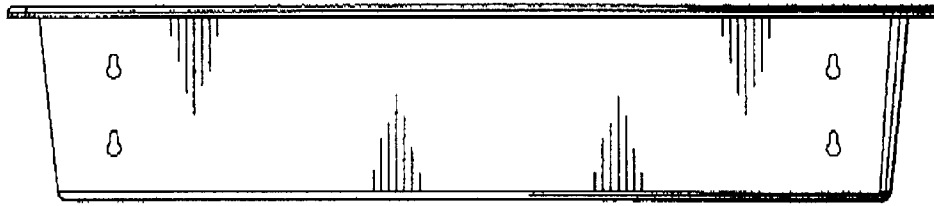


Fig. 4

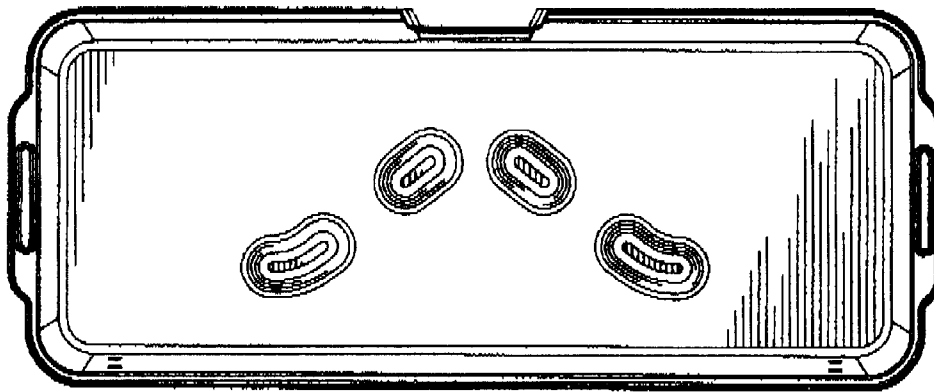


Fig. 5

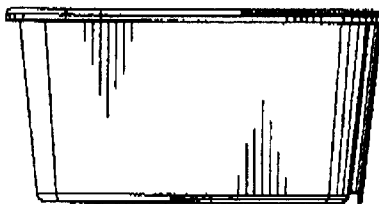


Fig. 6

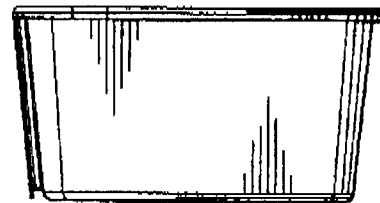


Fig. 7

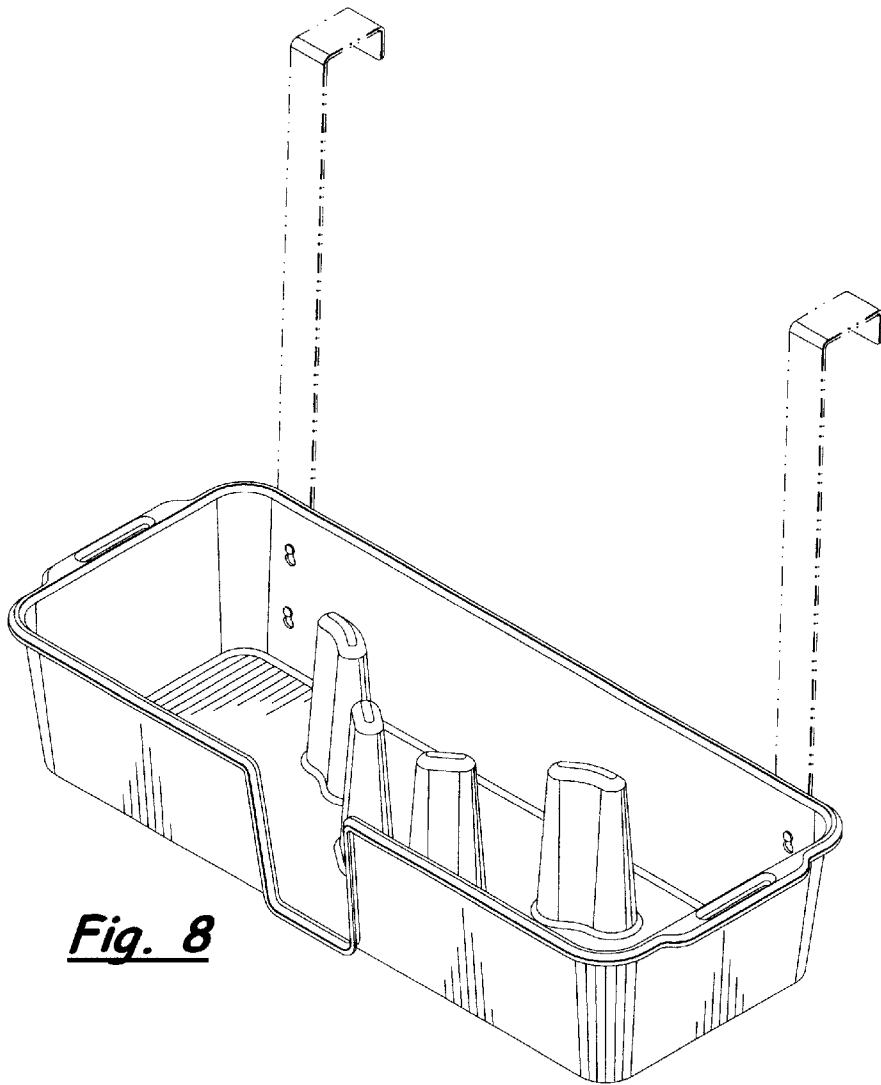


Fig. 8

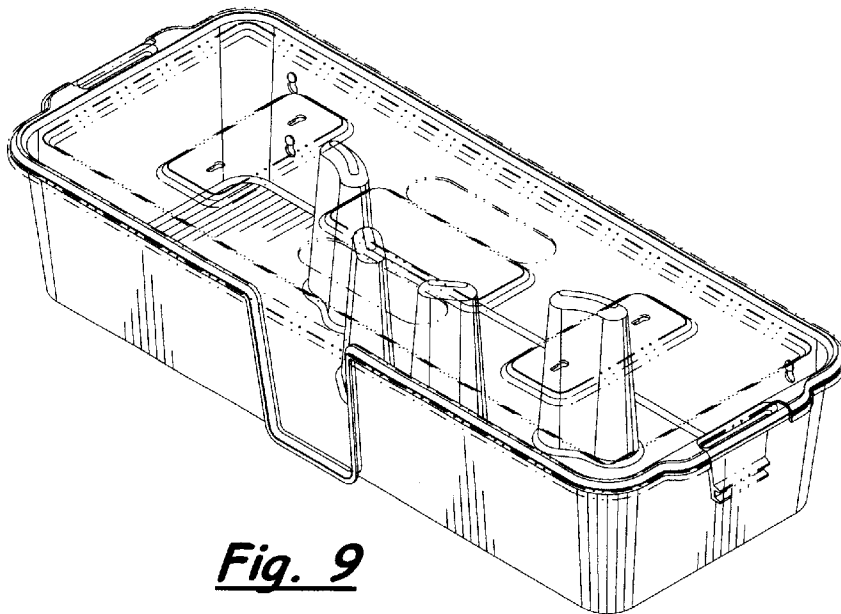


Fig. 9