



US00D556450S

(12) **United States Design Patent**
Bentley et al.

(10) **Patent No.:** **US D556,450 S**

(45) **Date of Patent:** **** Dec. 4, 2007**

(54) **CLOTHES HANGER STORAGE DEVICE**

(75) Inventors: **Renee M. Bentley**, P.O. Box 1342,
Meridian, ID (US) 83680; **Taylor**
Jenkins, Nampa, ID (US)

(73) Assignee: **Renee M. Bentley**, Meridian, ID (US)

(**) Term: **14 Years**

(21) Appl. No.: **29/257,094**

(22) Filed: **Mar. 28, 2006**

Related U.S. Application Data

(63) Continuation-in-part of application No. 29/218,351,
filed on Nov. 30, 2004, now Pat. No. Des. 519,735.

(51) **LOC (8) Cl.** **03-01**

(52) **U.S. Cl.** **D3/276**

(58) **Field of Classification Search** D3/20,
D3/200-201, 203.1, 203.3, 205-206, 273,
D3/276; D6/525, 475-476; D19/75, 77,
D19/86, 90, 92, 100; 206/203, 214, 215,
206/822, 307.1, 100, 913, 914, 406

See application file for complete search history.

(56) **References Cited**

U.S. PATENT DOCUMENTS

13,465 A	8/1855	Lawton	
623,594 A	4/1899	Burt	
653,699 A	7/1900	Robinson	
683,356 A	9/1901	Todd	
947,847 A	2/1910	Recht	
1,015,605 A	1/1912	Wilt et al.	
1,382,092 A	6/1921	Kilmer	
1,591,087 A	7/1926	Holliday	
1,601,180 A	9/1926	Lindgren	
1,740,828 A	12/1929	Morrison	
1,999,879 A	4/1935	Lee	206/46
2,082,007 A	6/1937	Joseph	206/7
2,370,417 A	2/1945	Preston	206/65
2,530,609 A	11/1950	Friedman	211/49

3,115,968 A	12/1963	Peterson	206/56
D222,085 S	9/1971	Boley	D33/17
D237,442 S	11/1975	Kiggins et al.	D6/181
4,016,981 A	4/1977	Hildt	211/49 R
D246,982 S *	1/1978	Hamilton	D19/92
4,085,875 A	4/1978	Campbell et al.	224/45 K

(Continued)

Primary Examiner—Louis S. Zarfes

Assistant Examiner—Eric L. Goodman

(74) *Attorney, Agent, or Firm*—Pedersen & Co., PLLC; Ken J. Pedersen; Barbara S. Pedersen

(57) **CLAIM**

The ornamental design for a clothes hanger storage device, as shown and described.

DESCRIPTION

FIG. 1 is a front perspective view of the invented design for a clothes hanger storage device, which device includes a lid.

FIG. 2 is a top view of the clothes hanger storage device shown in FIG. 1.

FIG. 3 is a front view of the clothes hanger storage device shown in FIG. 1.

FIG. 4 is a rear view of the clothes hanger storage device shown in FIG. 1.

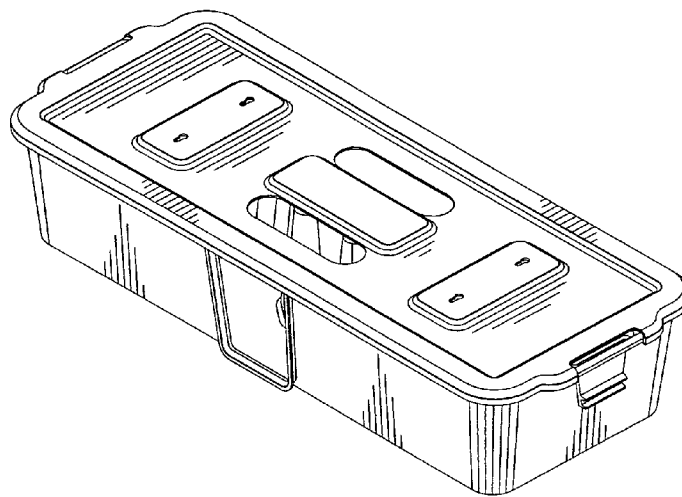
FIG. 5 is a bottom view of the clothes hanger storage device shown in FIG. 1.

FIG. 6 is a left side view of the clothes hanger storage device shown in FIG. 1.

FIG. 7 is a right side view of the clothes hanger storage device shown in FIG. 1; and,

FIG. 8 is a front perspective view of the clothes hanger storage device, wherein the clothes hanger storage device is shown with brackets in broken lines. The broken line showing of the brackets in FIG. 8 is included for the purpose of illustrating environmental structure and forms no part of the claimed design.

1 Claim, 3 Drawing Sheets



US D556,450 S

Page 2

U.S. PATENT DOCUMENTS

4,424,905 A	1/1984	Keen	211/49 R	D395,756 S *	7/1998	Tanji	D3/312
4,611,718 A	9/1986	Cohn et al.	211/49.1	5,833,184 A	11/1998	Scola	248/176.1
4,722,438 A	2/1988	Hicks	206/300	D403,862 S	1/1999	Jones	D3/304
4,957,206 A	9/1990	Banko et al.	211/40	5,924,578 A	7/1999	McKenzie	211/49.1
4,958,841 A	9/1990	Keen	280/47.35	D417,802 S	12/1999	Spurgeon et al.	D6/467
D319,977 S *	9/1991	Curry	D9/425	D421,686 S	3/2000	Wacks	D6/466
D323,296 S *	1/1992	Schoenthaler	D9/456	D422,412 S *	4/2000	Greene	D3/314
5,176,252 A	1/1993	Davis	206/300	6,109,457 A	8/2000	Dahnke	211/49.1
D335,402 S	5/1993	Eckner	D6/462	6,230,904 B1	5/2001	Licari	211/49.1
5,265,558 A *	11/1993	Schonrock	119/28.5	D465,352 S	11/2002	Kim	D6/462
D382,402 S	8/1997	Pawuk et al.	D3/304	D483,945 S *	12/2003	Tanji	D3/302
D392,818 S	3/1998	Shawhan	D6/467	D513,871 S *	1/2006	Rosine et al.	D3/273

* cited by examiner

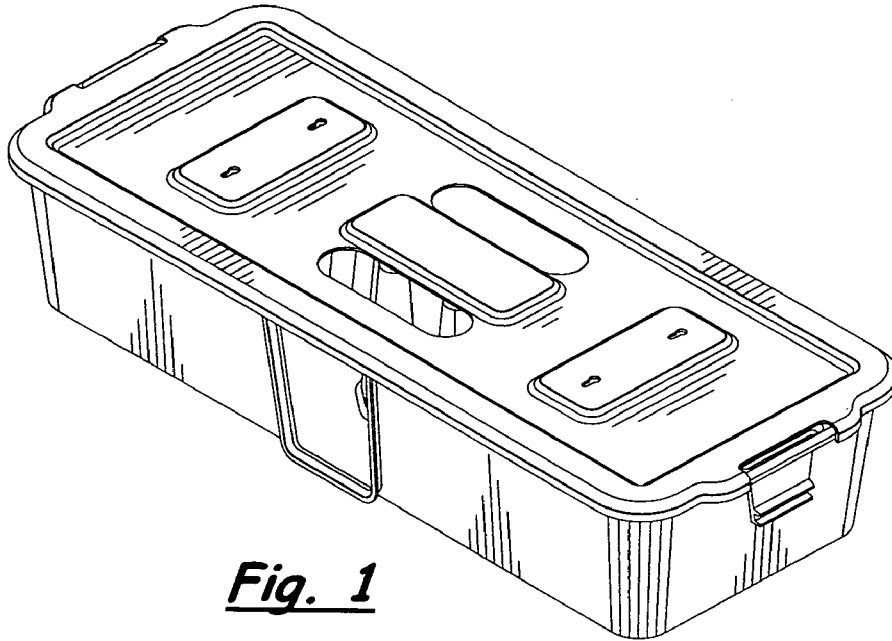


Fig. 1

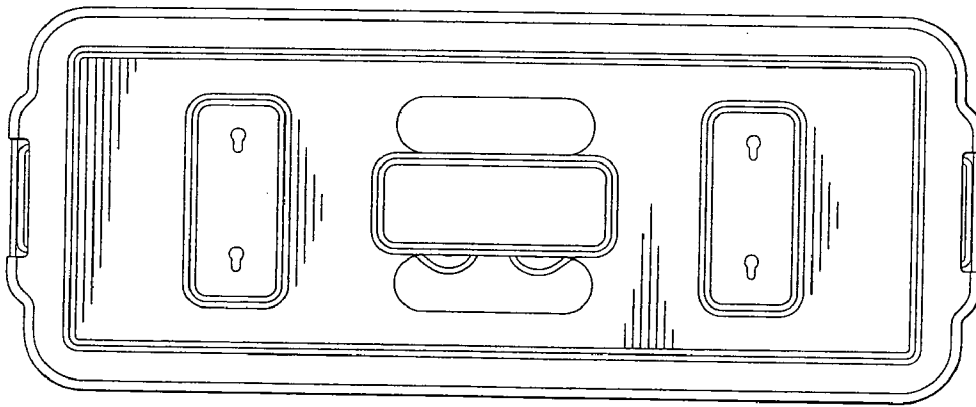


Fig. 2

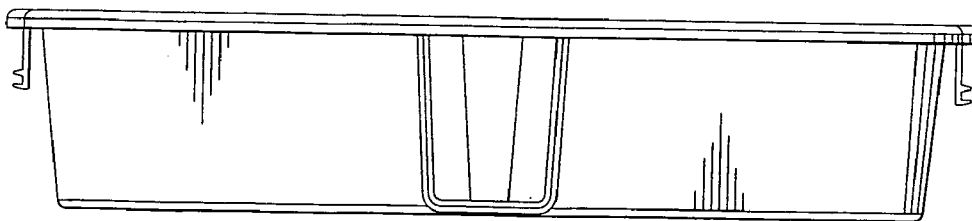


Fig. 3

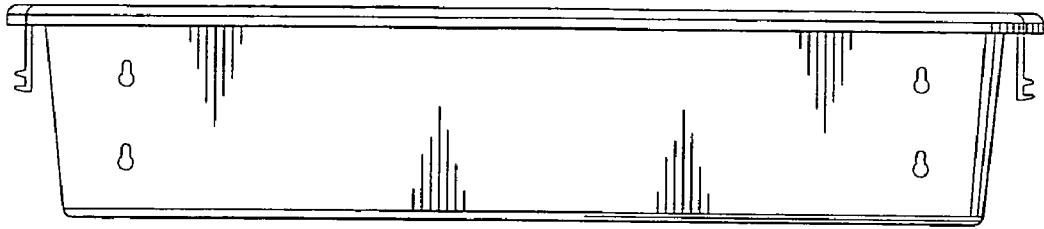


Fig. 4

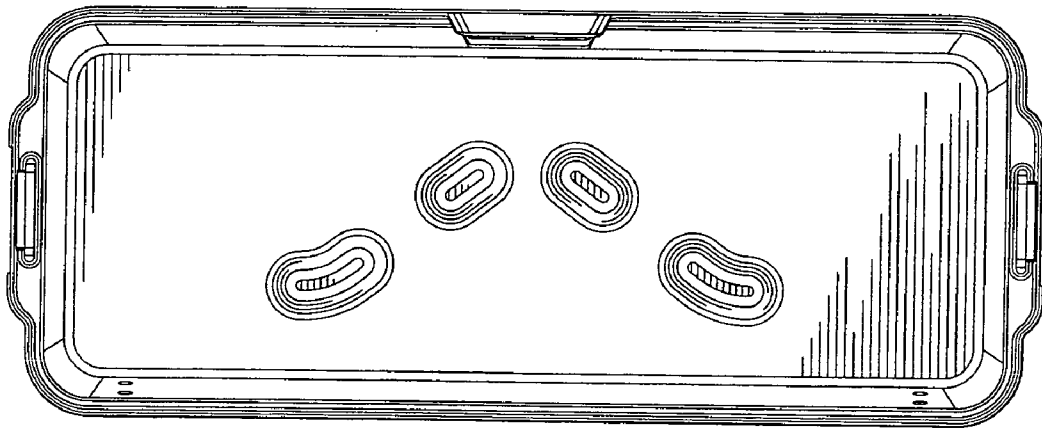


Fig. 5

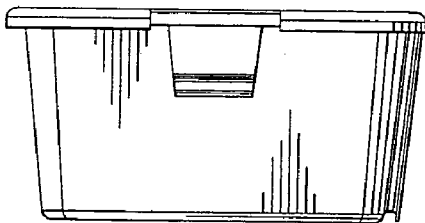


Fig. 6

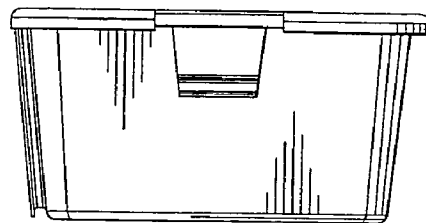


Fig. 7

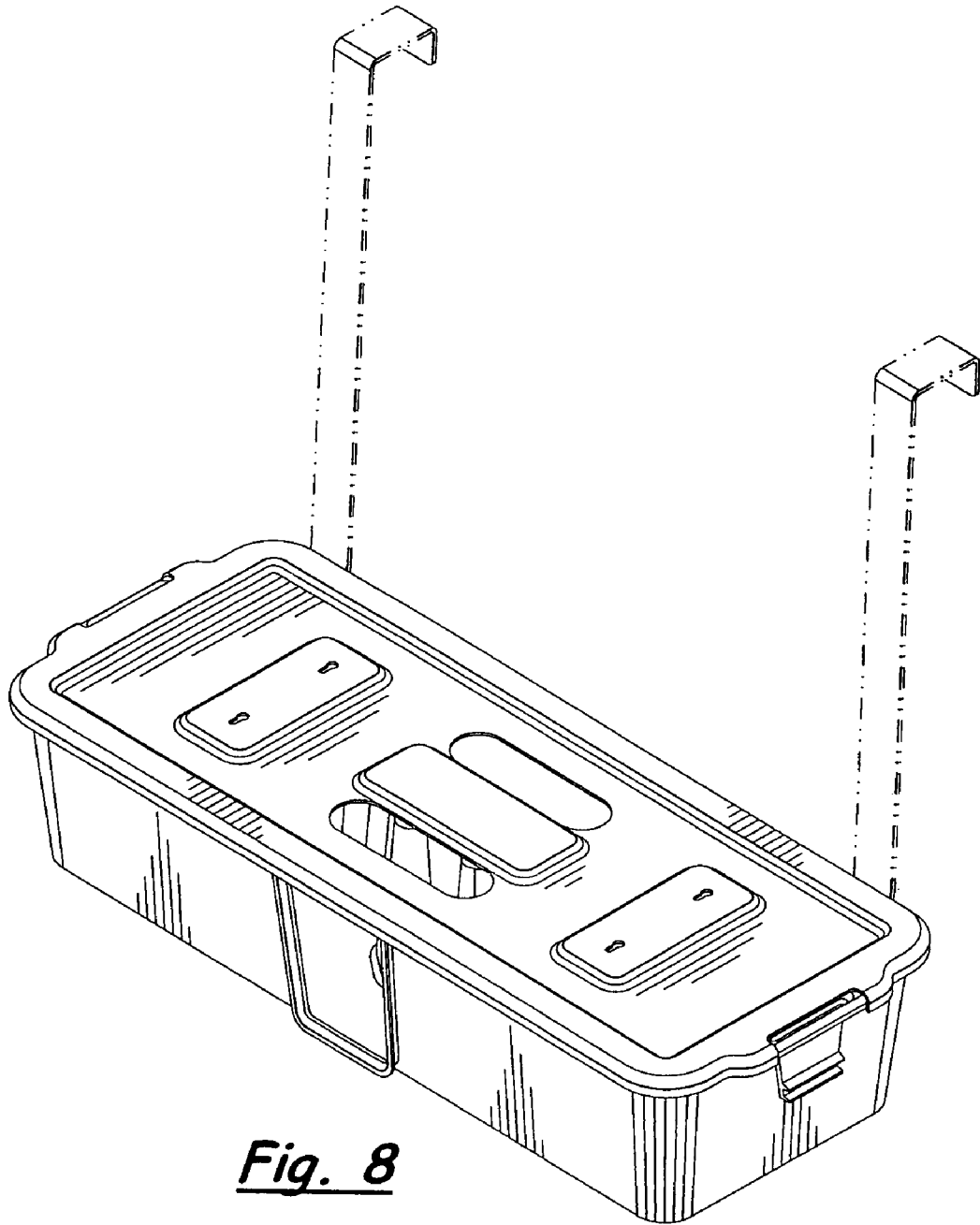


Fig. 8