



US00D661029S

(12) **United States Design Patent**  
**Grigg et al.**

(10) **Patent No.:** **US D661,029 S**

(45) **Date of Patent:** **\*\* May 29, 2012**

(54) **COLLAPSIBLE SMALL ANIMAL PEN**  
(76) Inventors: **Sanford Grigg**, Pottsboro, TX (US);  
**Doris Grigg**, Pottsboro, TX (US)

(\*\*) Term: **14 Years**

(21) Appl. No.: **29/408,076**

(22) Filed: **Dec. 6, 2011**

**Related U.S. Application Data**

(63) Continuation of application No. 12/218,159, filed on Jul. 11, 2008, now abandoned.

(51) **LOC (9) Cl.** ..... **30-02**

(52) **U.S. Cl.** ..... **D30/112; D30/114**

(58) **Field of Classification Search** ..... D30/108-112,  
D30/118-120, 125, 161; 119/482; D21/506,  
D21/509, 510, 511; 446/75, 76, 108, 109,  
446/110, 476-478; D99/30

See application file for complete search history.

(56) **References Cited**

**U.S. PATENT DOCUMENTS**

D209,838 S \* 1/1968 Artig ..... D30/108  
D219,742 S \* 1/1971 Marshall et al. .... D30/108

D229,948 S \* 1/1974 Box ..... D30/114  
D272,566 S \* 2/1984 Carroll et al. .... D30/114  
D360,489 S \* 7/1995 Saylor ..... D30/108  
5,595,203 A \* 1/1997 Espinosa ..... 135/124  
D444,599 S \* 7/2001 Guerry, Jr. .... D30/155  
D540,044 S \* 4/2007 Schroer et al. .... D5/26  
2009/0249701 A1 \* 10/2009 Turcot ..... 52/2.18

\* cited by examiner

*Primary Examiner* — John Windmuller

(74) *Attorney, Agent, or Firm* — Montgomery Patent & Design; Robert C. Montgomery; Joseph T. Yaksich

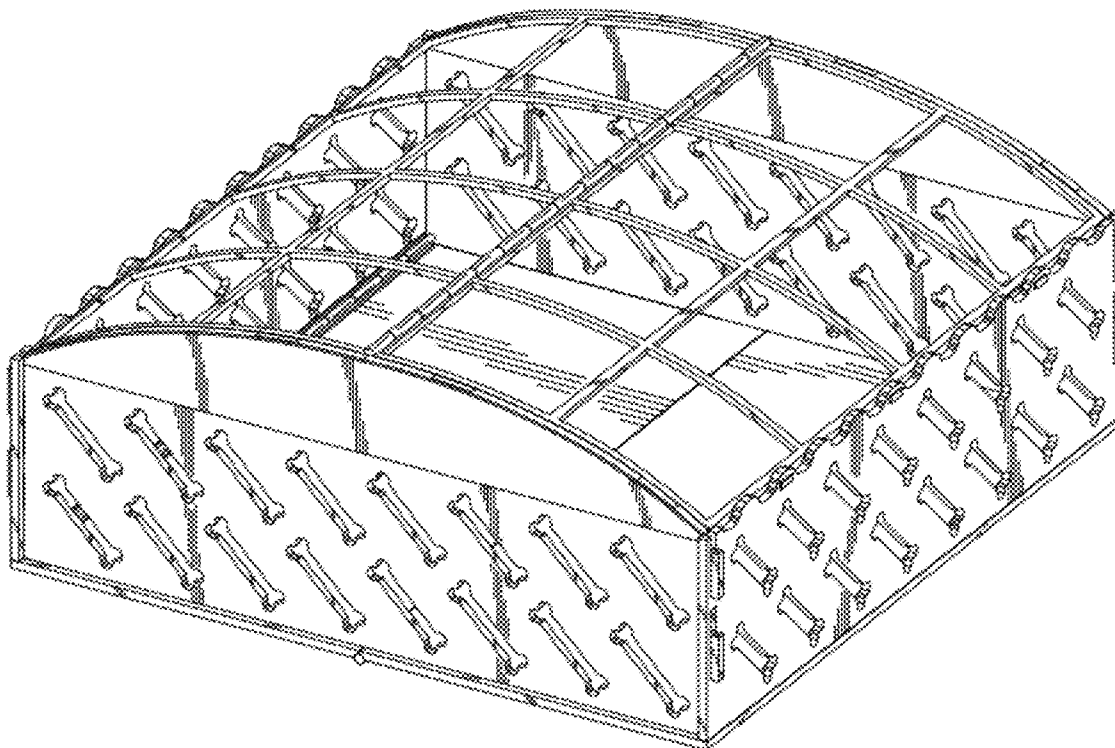
(57) **CLAIM**

The ornamental design for a collapsible small animal pen, as shown and described.

**DESCRIPTION**

FIG. 1 is a front perspective view of a collapsible small animal pen, showing our new design;  
FIG. 2 is a front view thereof with a rear view being a mirror image;  
FIG. 3 is a left side view thereof with a right side view being a mirror image;  
FIG. 4 is a top view thereof; and,  
FIG. 5 is a bottom view thereof.

**1 Claim, 5 Drawing Sheets**



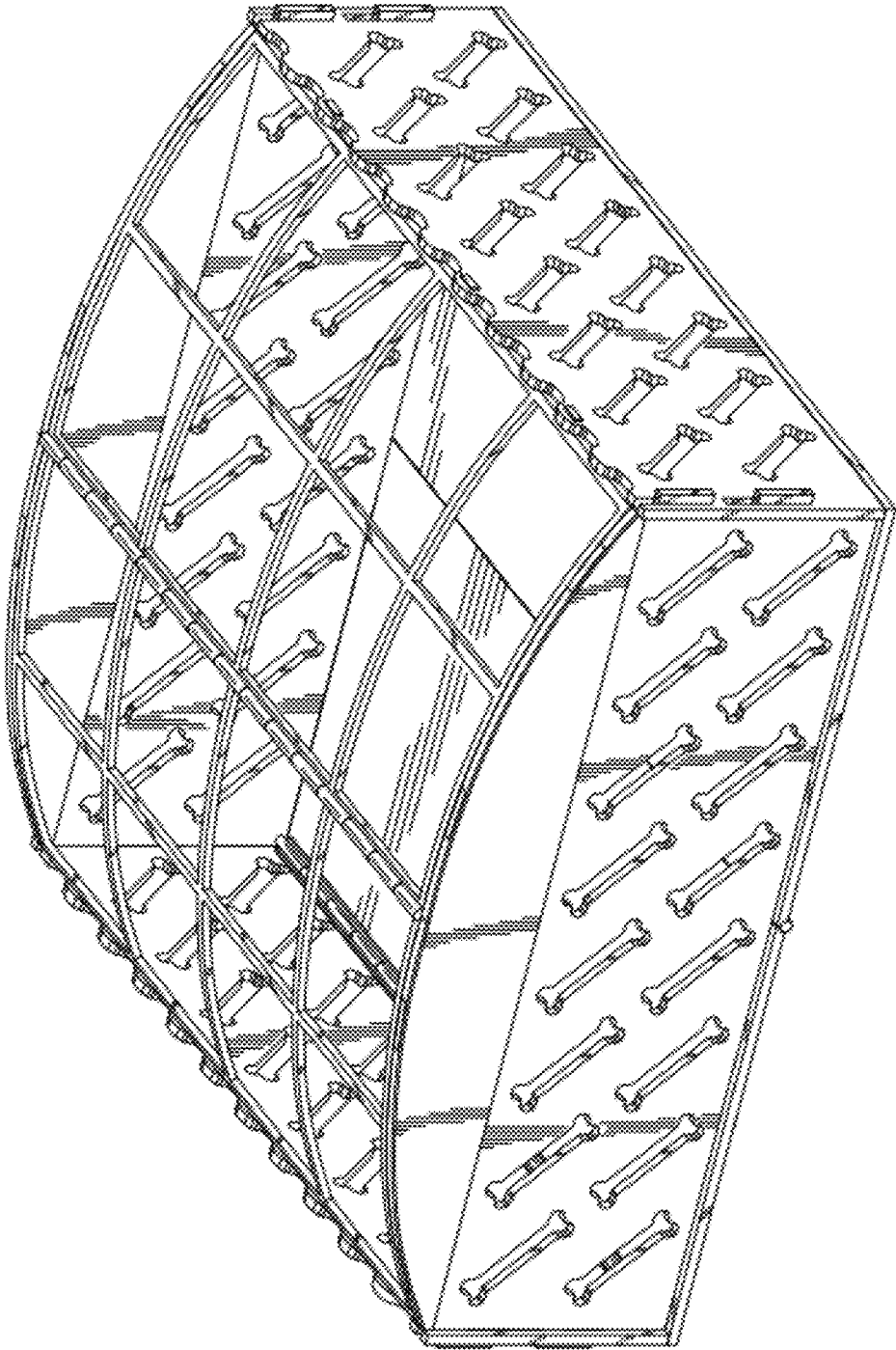


Fig. 1

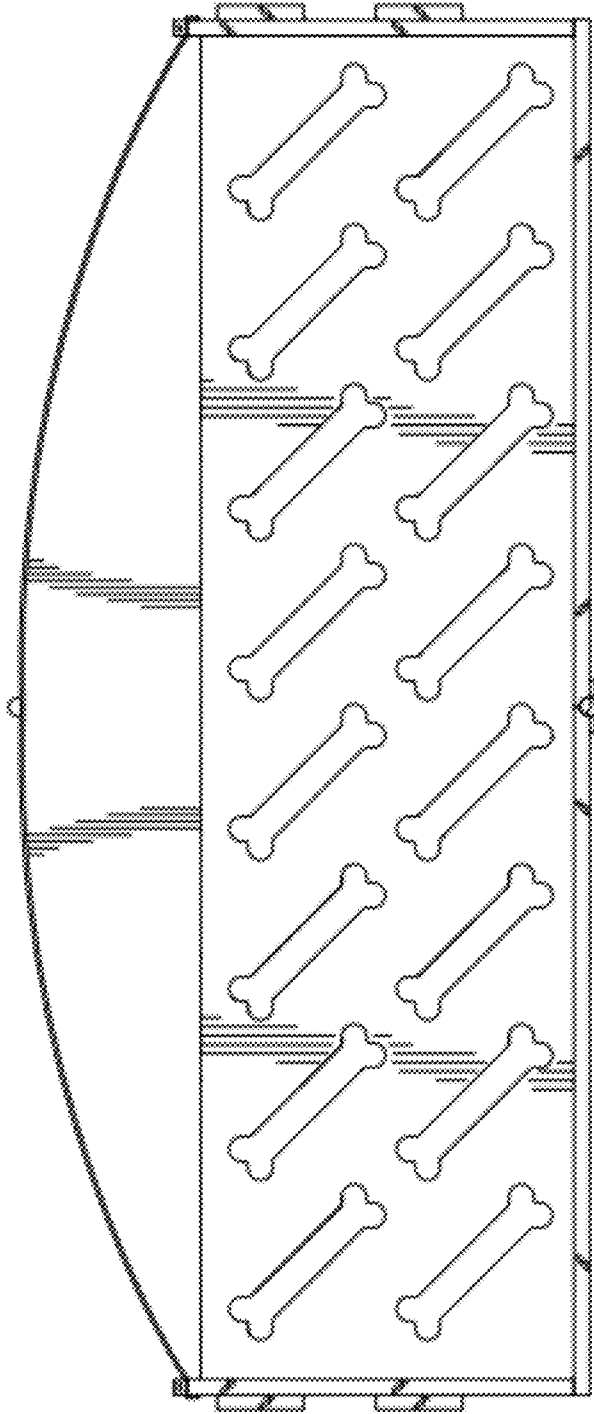


Fig. 2

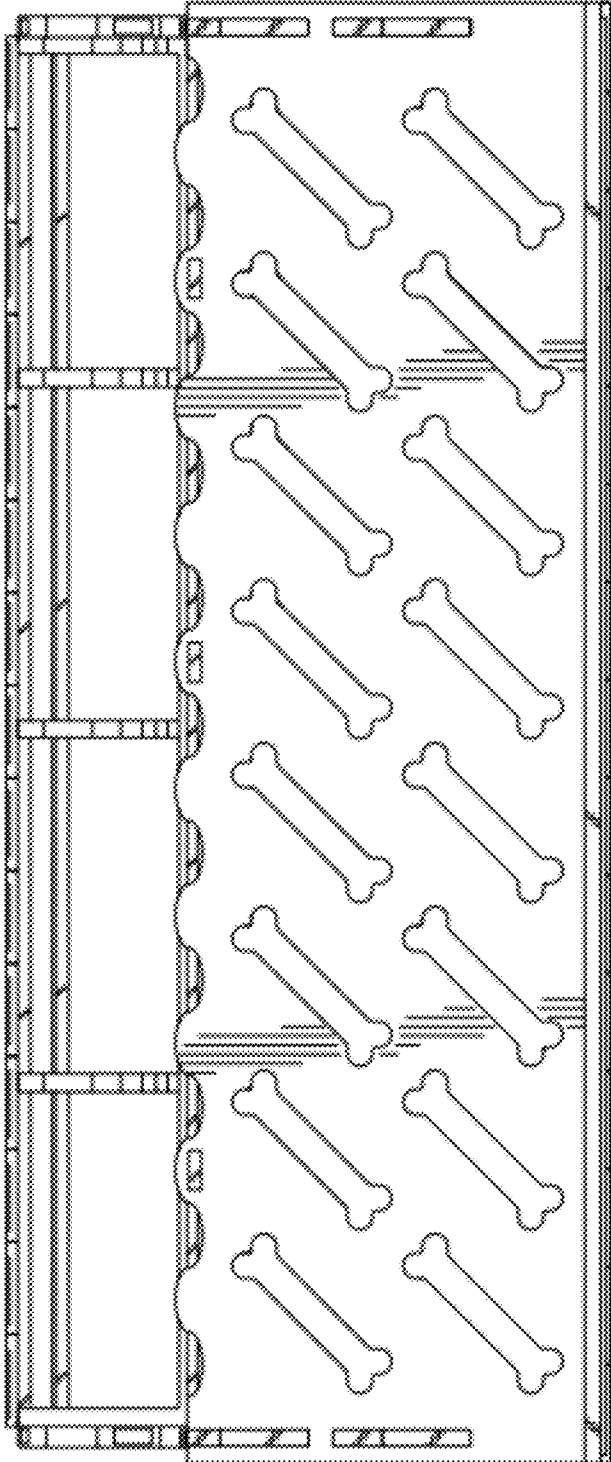


Fig. 3

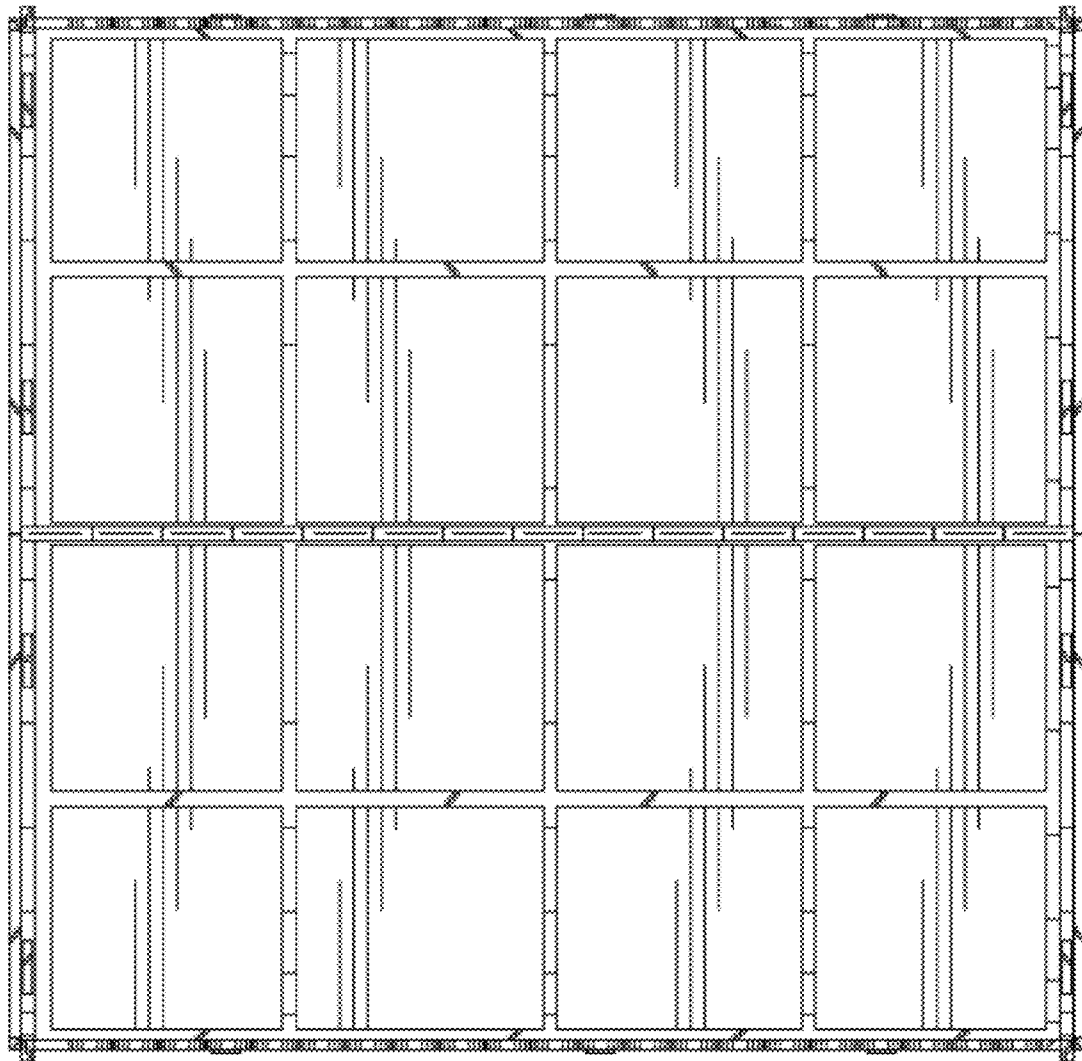


Fig. 4

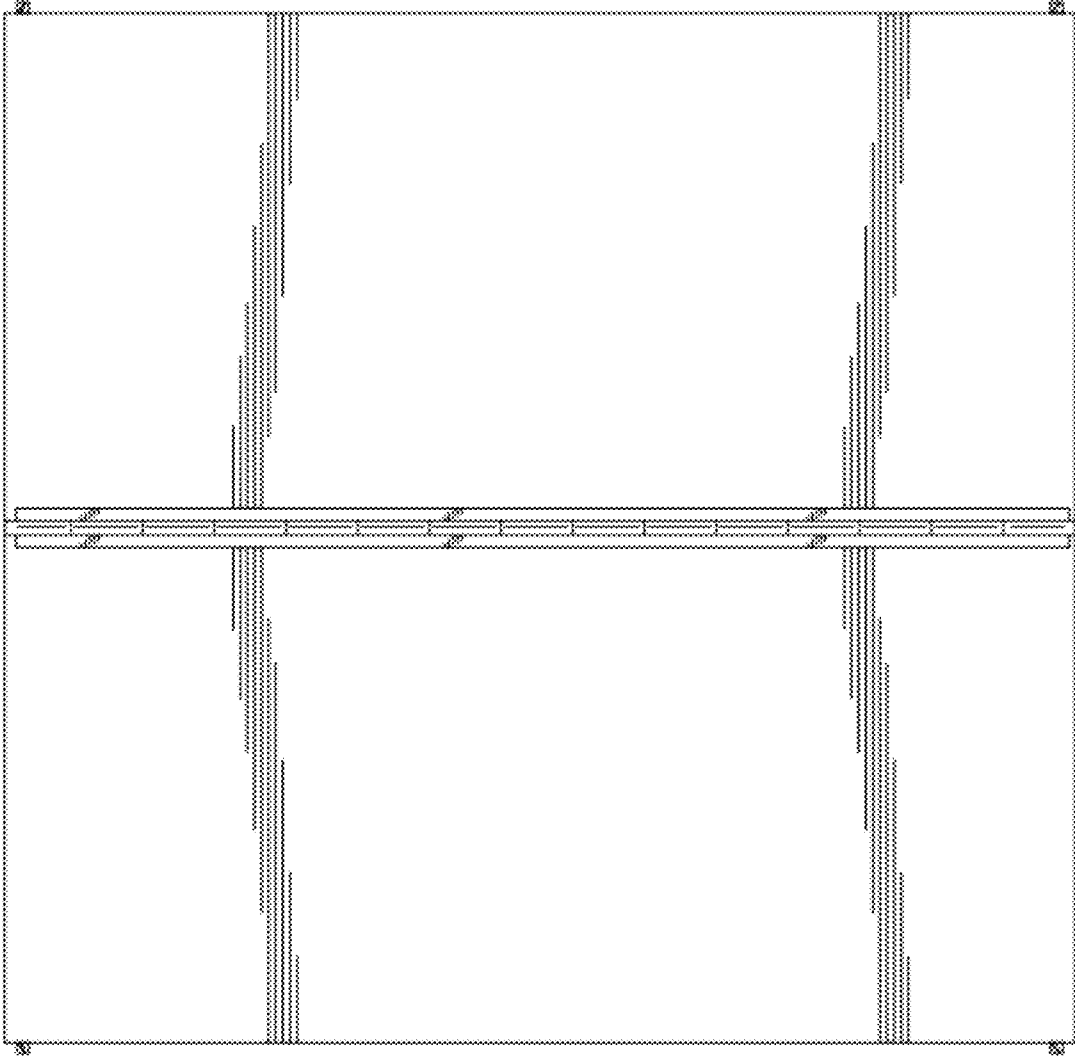


Fig. 5