



US00D683070S

(12) **United States Design Patent**
Laone

(10) **Patent No.:** **US D683,070 S**

(45) **Date of Patent:** **** May 21, 2013**

(54) **CIGAR PUNCH**

(71) Applicant: **John R. Laone**, Thomaston, CT (US)

(72) Inventor: **John R. Laone**, Thomaston, CT (US)

(**) Term: **14 Years**

(21) Appl. No.: **29/437,195**

(22) Filed: **Nov. 14, 2012**

(51) **LOC (9) Cl.** **27-99**

(52) **U.S. Cl.**
USPC **D27/195**

(58) **Field of Classification Search**
USPC D27/195, 142, 143, 125, 194, 172,
D27/196, 101, 170, 189, 100, 162, 167, 169;
131/233, 254, 255, 329, 250, 251, 252, 253,
131/256, 248, 330, 187, 175, 328, 273, 274,
131/290, 291, 173, 202, 203, 204, 205, 206,
131/347, 360

See application file for complete search history.

(56) **References Cited**

U.S. PATENT DOCUMENTS

223,020 A	12/1879	Wight	
245,956 A *	8/1881	Jaworski	131/254
297,956 A *	4/1884	Ungerer	131/255
589,405 A *	9/1897	Billings	131/248
703,162 A	6/1902	Todd, Jr.	
798,341 A	8/1905	Hill	
799,364 A *	9/1905	White	131/255
1,115,335 A	10/1914	Potter	
1,177,852 A	4/1916	Flanders	
1,336,724 A *	4/1920	Berberich	30/113
1,376,335 A	4/1921	Hentschel	
1,434,599 A *	11/1922	Field et al.	131/255
1,504,652 A	8/1924	Sweet	
1,910,342 A *	5/1933	Kivikink	131/255
2,832,354 A *	4/1958	Miller	131/254
2,843,135 A *	7/1958	Lisiewski	131/255
D283,451 S	4/1986	Kolpin	

4,711,254 A *	12/1987	Fleisher et al.	131/189
4,733,674 A	3/1988	Sielck	
D310,730 S	9/1990	Sielck	
5,535,763 A *	7/1996	Conte	131/255
5,765,569 A *	6/1998	Kemanjian	131/248
5,799,662 A *	9/1998	Conte	131/255
5,806,532 A *	9/1998	Kuenzel	131/248
5,862,808 A *	1/1999	Albarello	131/255
5,862,809 A *	1/1999	Nicotra	131/256
D417,525 S *	12/1999	Brushett	D27/195
6,161,550 A *	12/2000	Kontos	131/250
6,386,204 B1 *	5/2002	Kontos	131/250
6,482,187 B1	11/2002	Gibbs	
D570,041 S *	5/2008	Smith	D27/195
D608,942 S *	1/2010	Hbauu	D27/195
7,798,152 B1	9/2010	Tannous	
2003/0056800 A1 *	3/2003	Lin	131/254
2012/0160252 A1	6/2012	Green	

FOREIGN PATENT DOCUMENTS

DE 10159629 A1 7/2002

* cited by examiner

Primary Examiner — Kevin Rudzinski

(74) *Attorney, Agent, or Firm* — Michael A. Blake

(57) **CLAIM**

The ornamental design for a cigar punch, as shown and described.

DESCRIPTION

FIG. 1 is a top perspective view of the cigar punch, with the needles retracted;

FIG. 2 is a side view of the cigar punch, with the needles refracted;

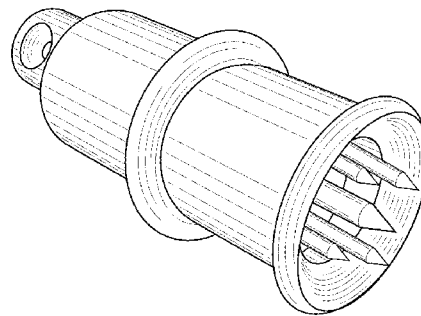
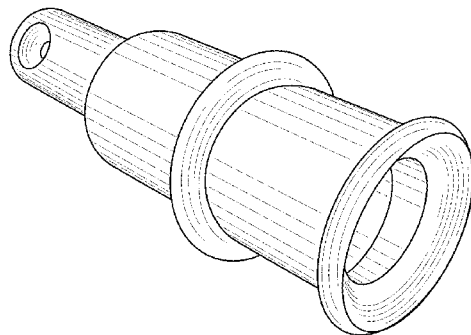
FIG. 3 is a front view of the cigar punch;

FIG. 4 is a rear view of the cigar punch;

FIG. 5 is top perspective view of the cigar punch, with the needles extended; and,

FIG. 6 is a side view of the cigar punch, with the needles extended.

1 Claim, 3 Drawing Sheets



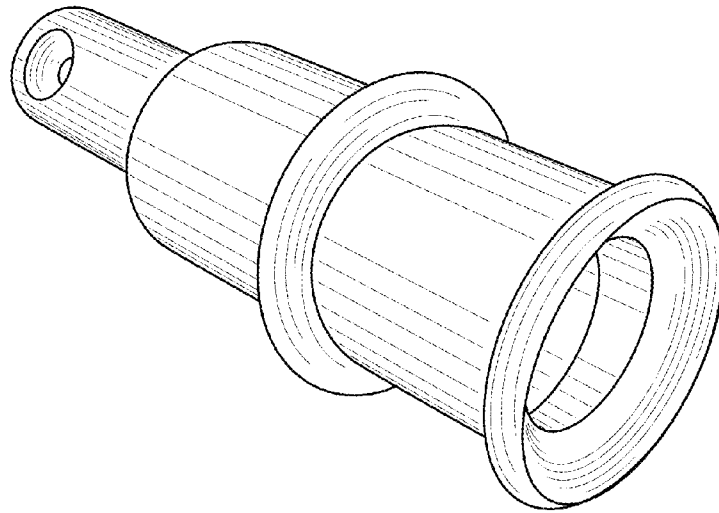


FIG. 1

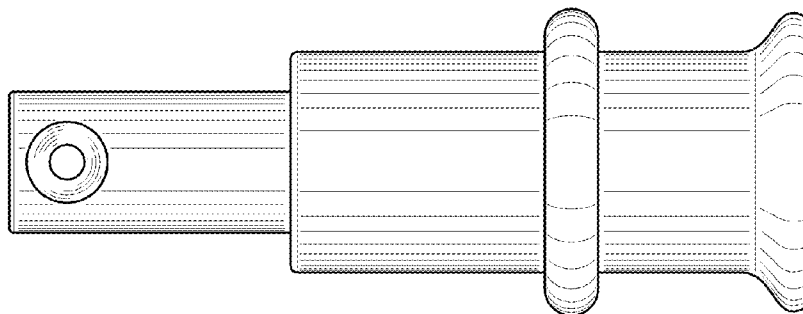


FIG. 2

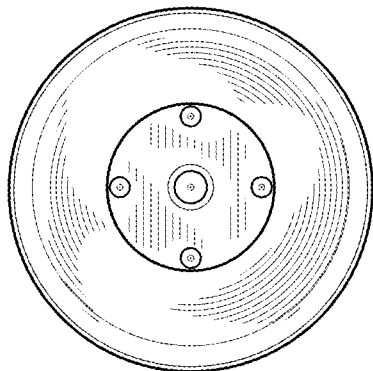


FIG. 3

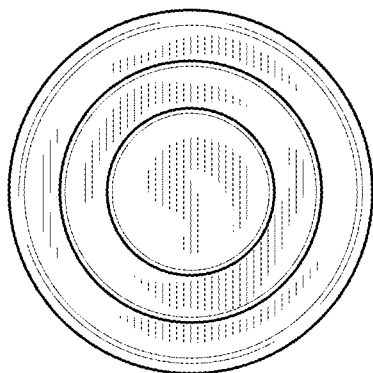


FIG. 4

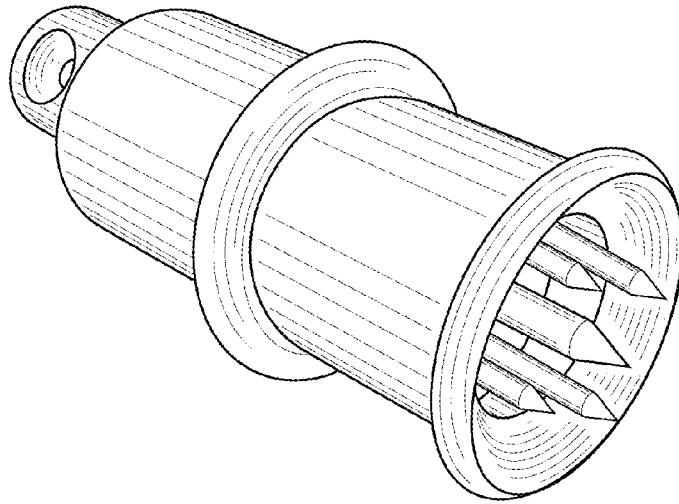


FIG. 5

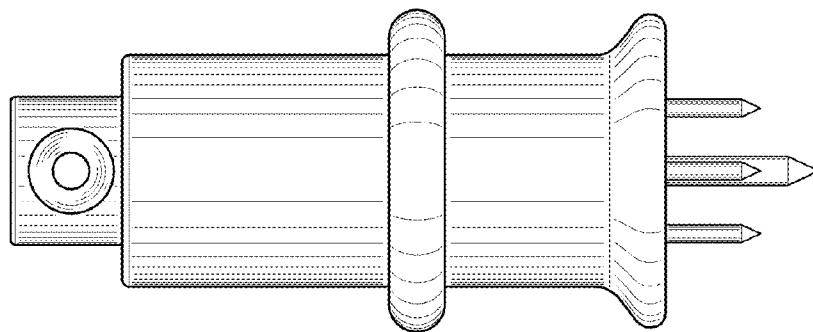


FIG. 6