



US00D643347S

(12) **United States Design Patent**
Chandler

(10) **Patent No.:** **US D643,347 S**

(45) **Date of Patent:** **** Aug. 16, 2011**

(54) **INFANT STROLLER**

(76) Inventor: **Darryl L. Chandler**, Halifax, VA (US)

(**) Term: **14 Years**

(21) Appl. No.: **29/378,098**

(22) Filed: **Oct. 29, 2010**

(51) **LOC (9) Cl.** **12-12**

(52) **U.S. Cl.** **D12/129**

(58) **Field of Classification Search** D12/128-133;
280/62, 647-650, 29, 200, 47.38, 250.1,
280/259, 642, 658; 297/DIG. 4; 296/65.03,
296/65.04; 224/209; 414/921; 135/65-67,
135/74; D6/360, 368

See application file for complete search history.

(56) **References Cited**

U.S. PATENT DOCUMENTS

D305,316	S	*	1/1990	Lin	D12/129
D328,047	S	*	7/1992	Huang	D12/129
D335,642	S	*	5/1993	Huang	D12/129
5,261,690	A		11/1993	Kluber		
5,460,395	A	*	10/1995	Chen	280/204
D381,297	S	*	7/1997	Eyman et al.	D12/129
D382,837	S	*	8/1997	Haut et al.	D12/129
D411,490	S		6/1999	Pierce		
D421,940	S		3/2000	Gibson et al.		
6,139,046	A		10/2000	Aalund et al.		
6,244,557	B1		6/2001	Maze		
6,267,405	B1	*	7/2001	Chen	280/647

6,402,166	B1	*	6/2002	Chiu	280/47.38
6,557,885	B1	*	5/2003	Kakuda	280/647
6,764,133	B2		7/2004	Osato		
6,880,850	B2	*	4/2005	Hsia	280/642
7,077,405	B2		7/2006	Akpom		
2002/0140246	A1		10/2002	Worrell et al.		
2007/0085286	A1		4/2007	Gibree		

* cited by examiner

Primary Examiner — Ian Simmons

Assistant Examiner — Charles Hanson

(74) *Attorney, Agent, or Firm* — Montgomery Patent and Design; Robert C. Montgomery; Joseph T. Yaksich

(57) **CLAIM**

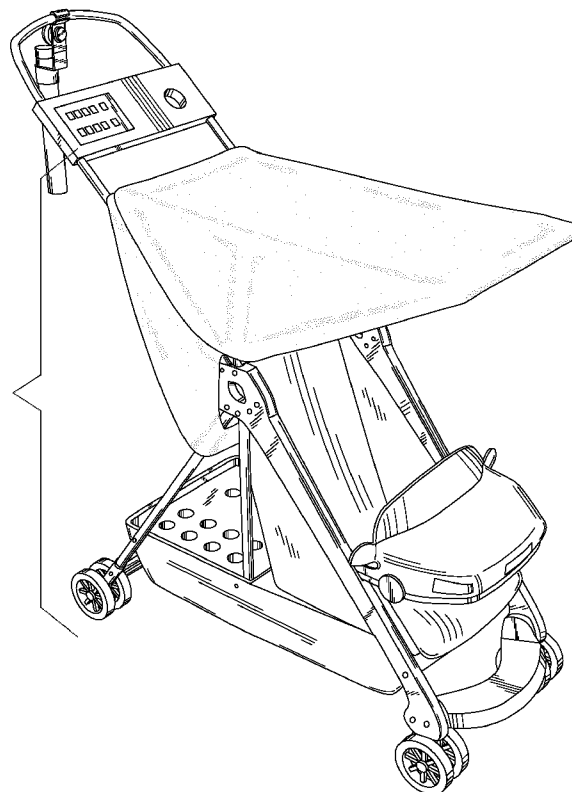
The ornamental design for an infant stroller, as shown and described.

DESCRIPTION

FIG. 1 is a front perspective of an infant stroller, showing my new design;
FIG. 2 is a rear perspective view thereof;
FIG. 3 is a front view thereof;
FIG. 4 is a rear view thereof;
FIG. 5 is a left side view thereof;
FIG. 6 is a right side view thereof;
FIG. 7 is a top view thereof; and,
FIG. 8 is a bottom view thereof; and,
FIG. 9 is a rear view of the infant stroller shown with a deployed umbrella.

The broken line showing of an umbrella in FIG. 9 is for the purpose of illustrating environment and forms no part of the claimed design.

1 Claim, 9 Drawing Sheets



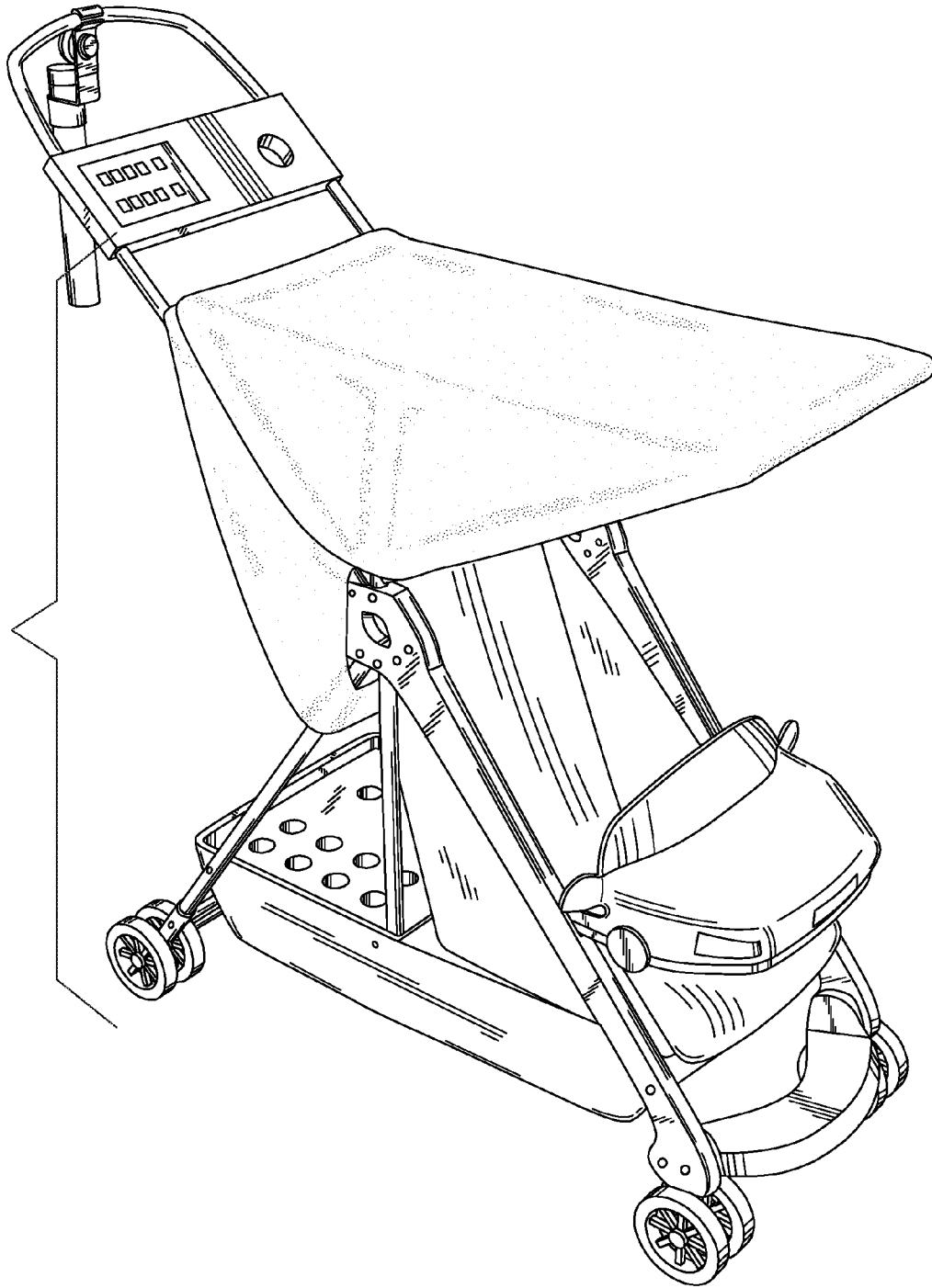


Fig. 1

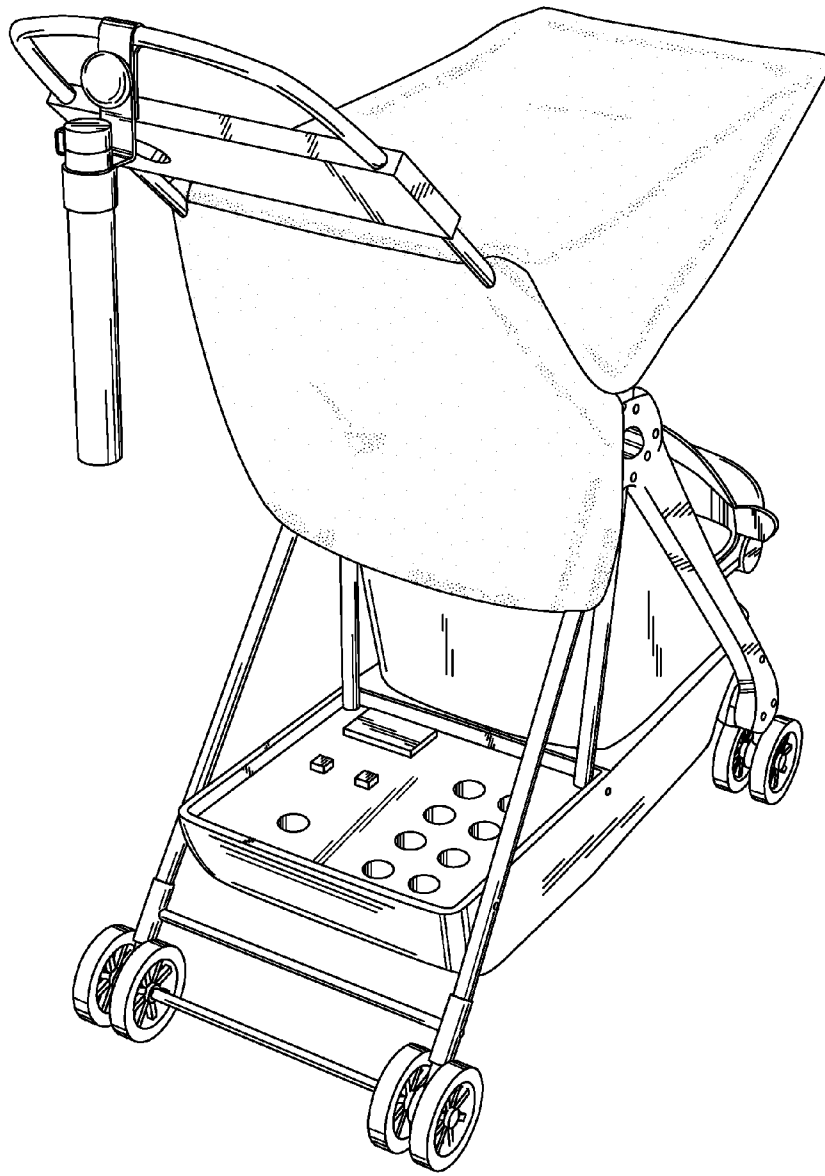


Fig. 2

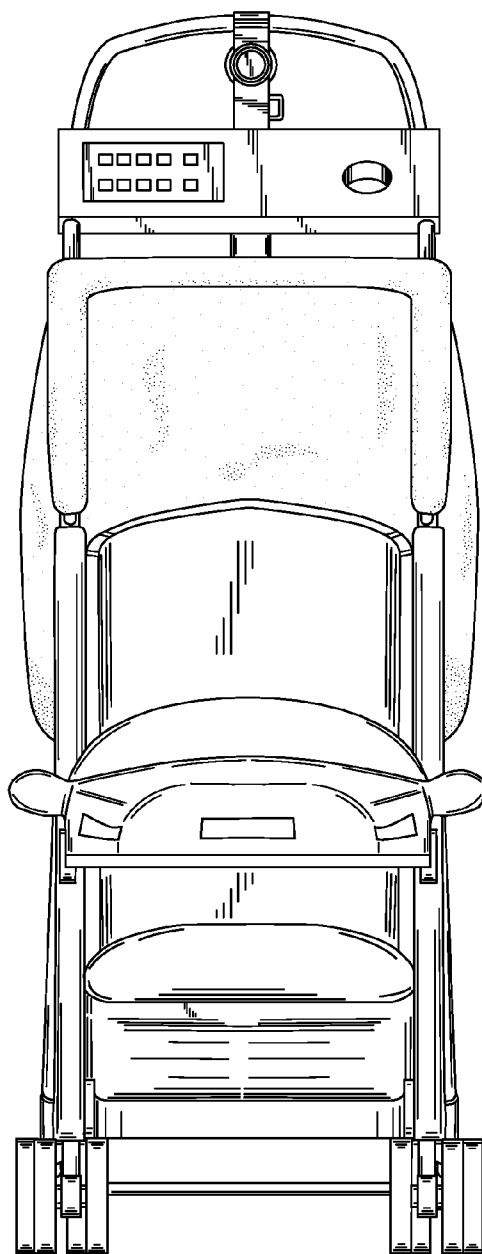


Fig. 3

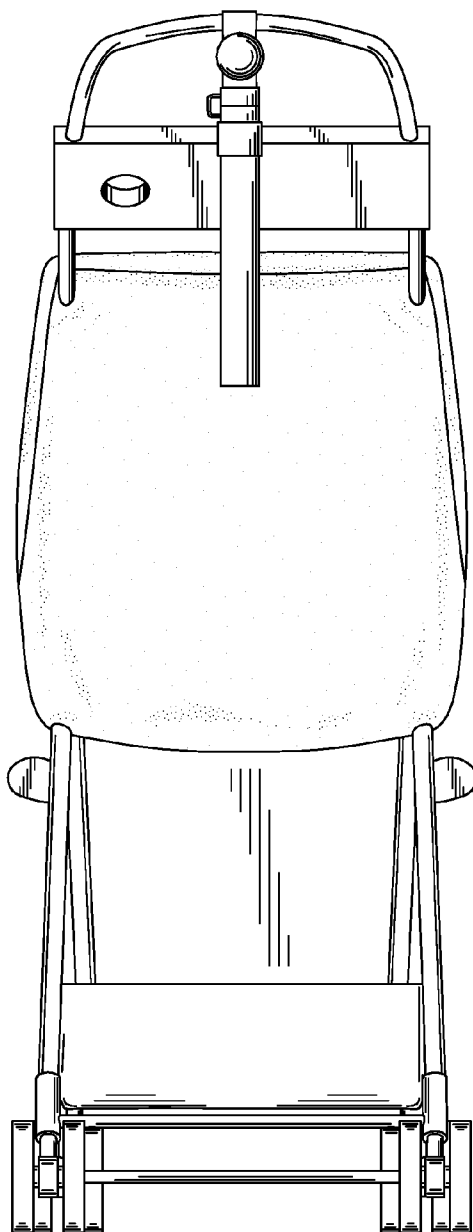


Fig. 4

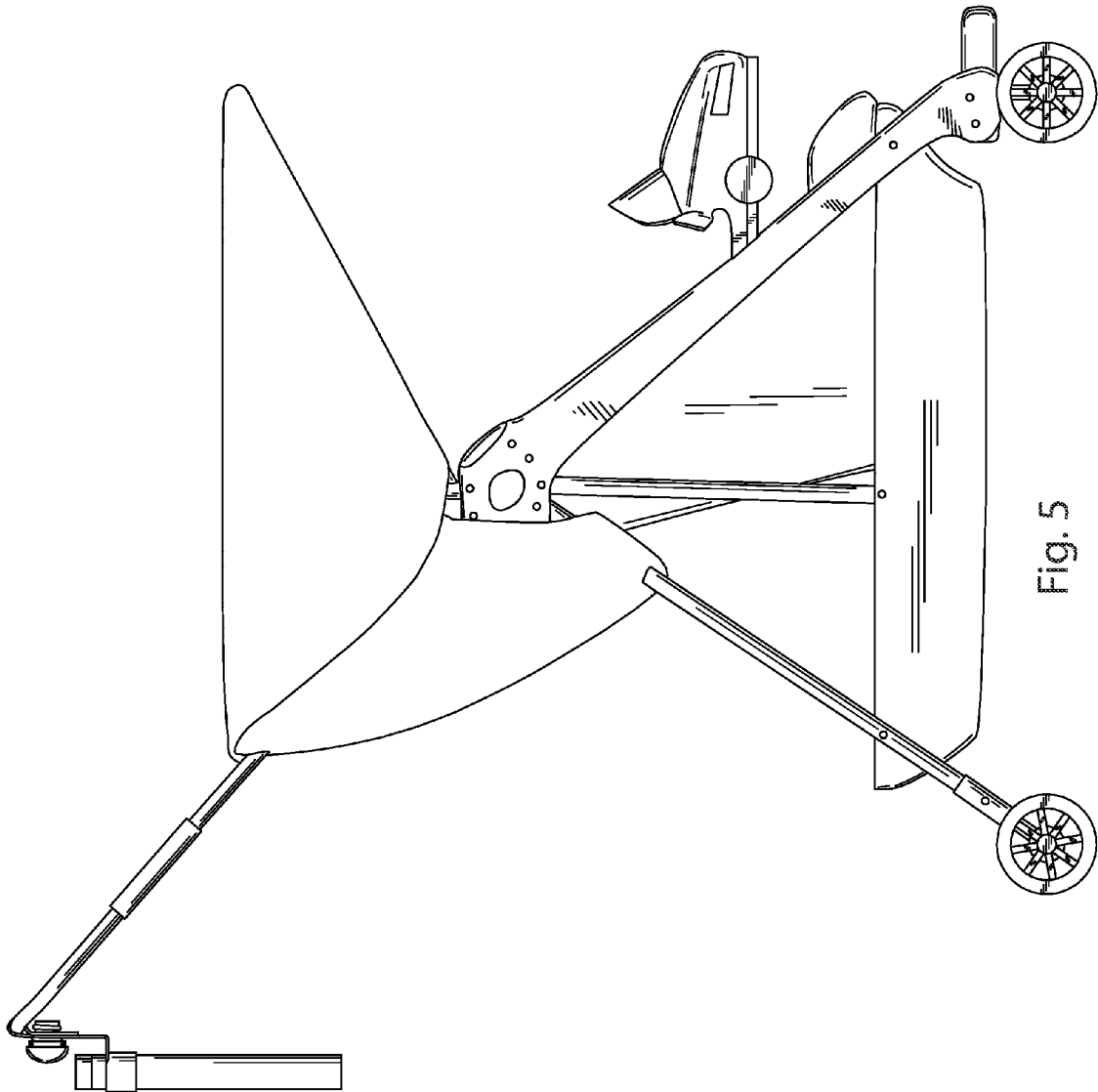


Fig. 5

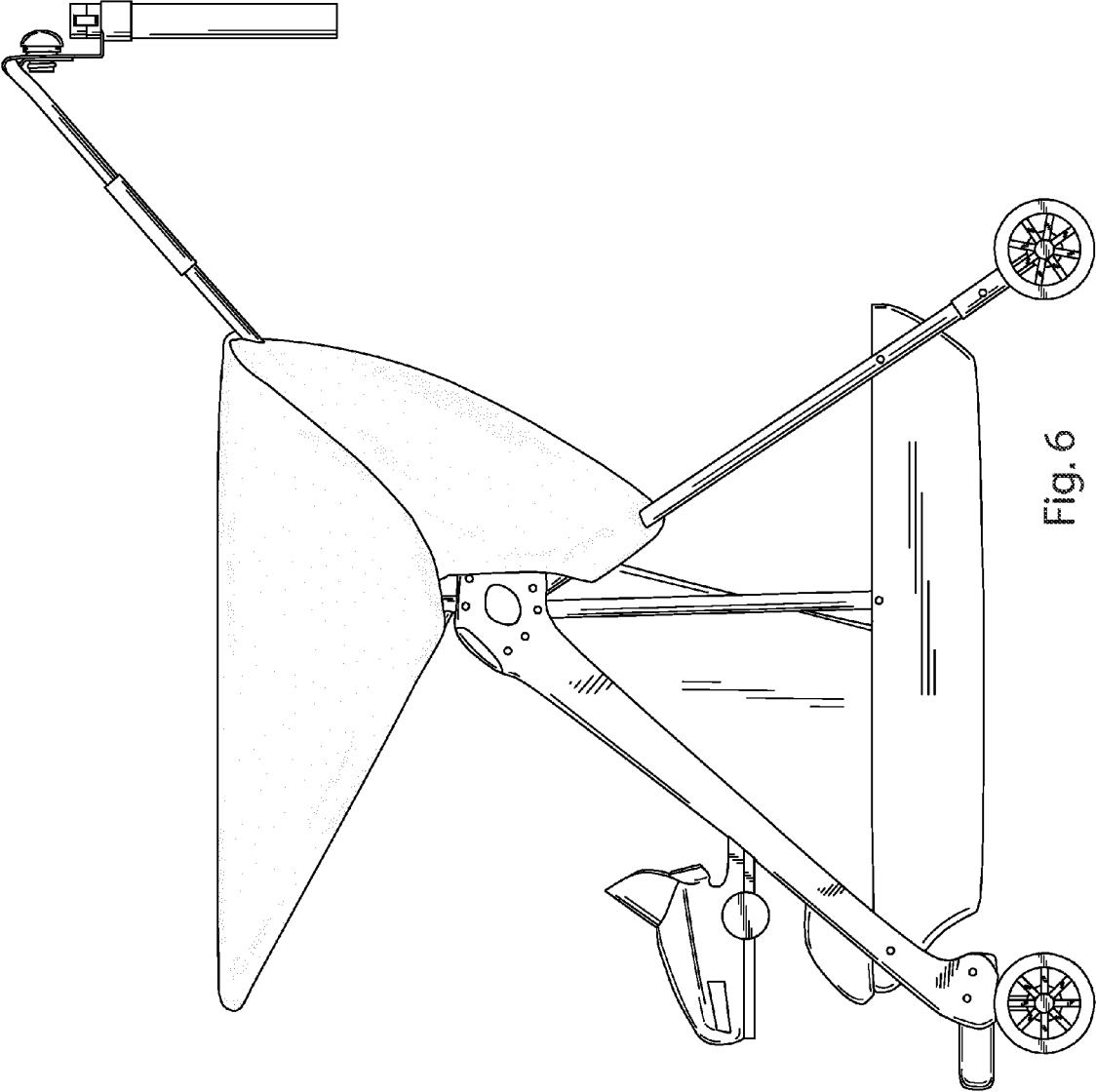


Fig. 6

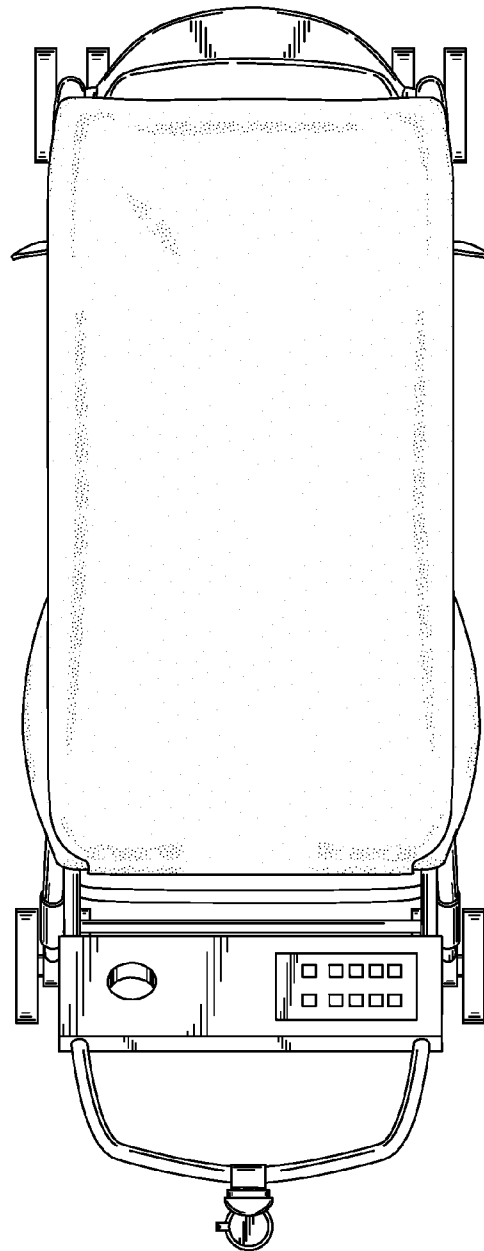


Fig. 7

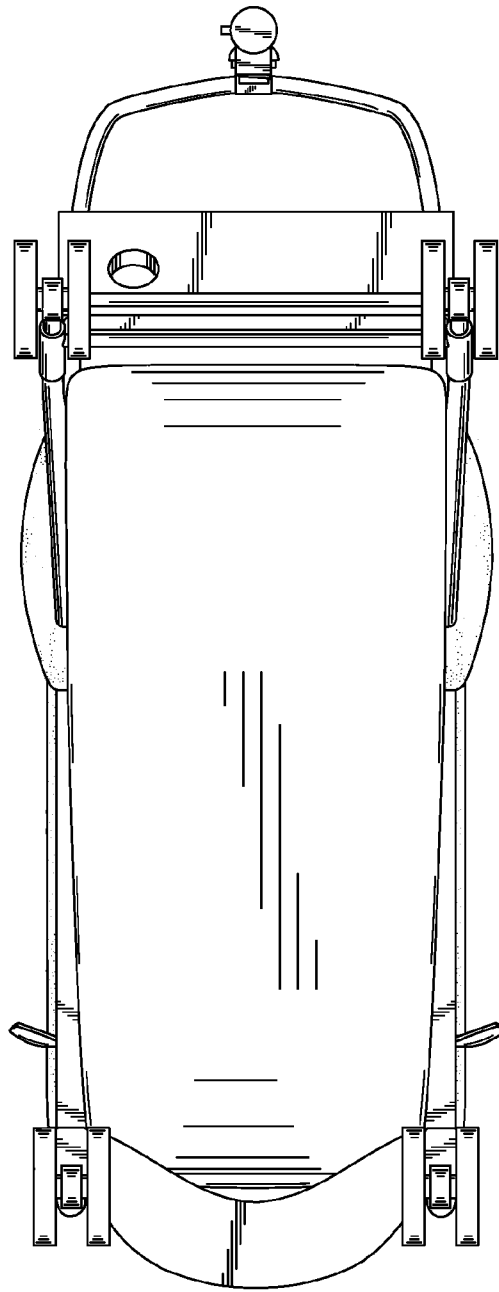


Fig. 8

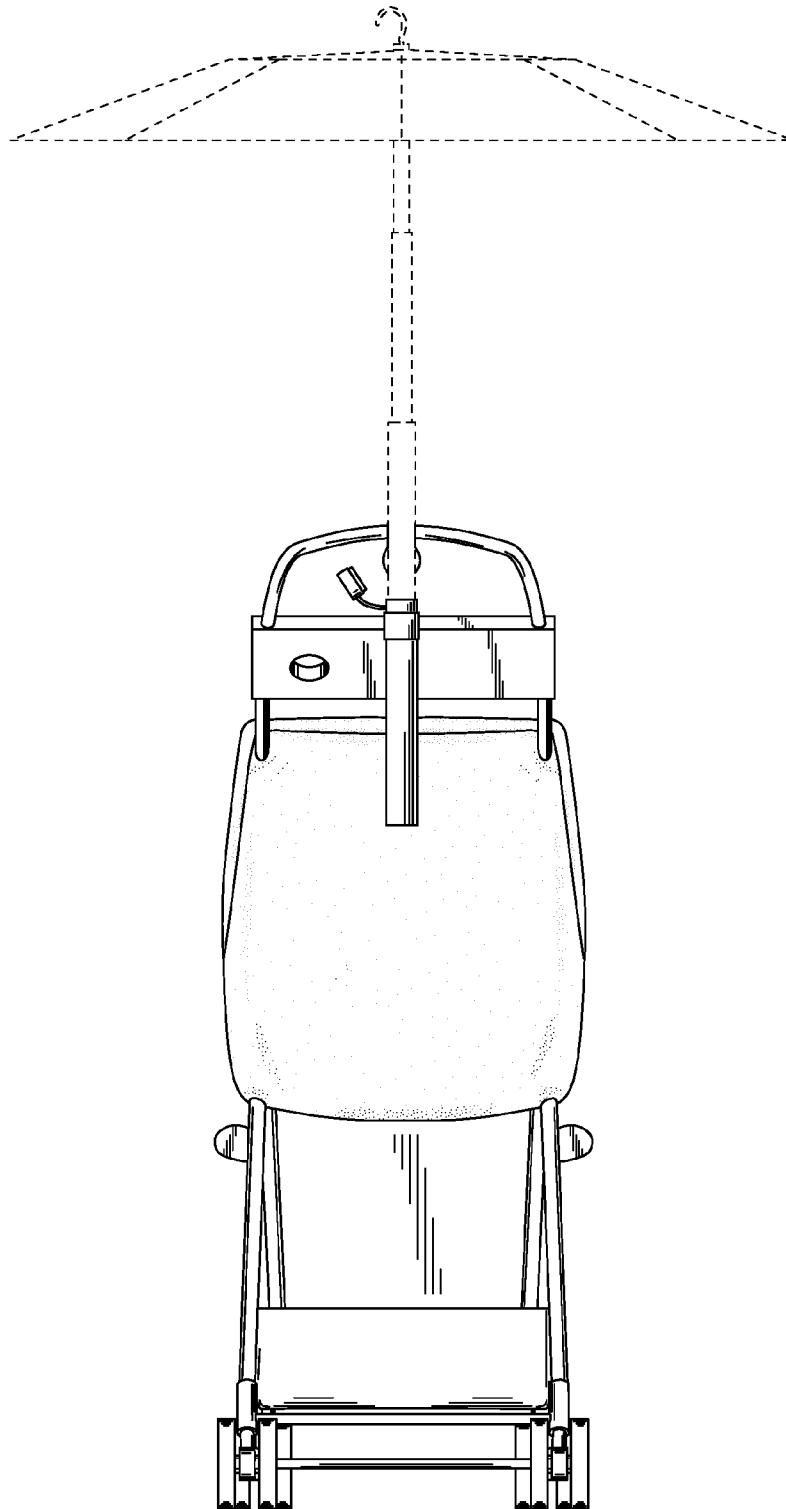


Fig. 9