



US00D671702S

(12) **United States Design Patent**
Cribbs

(10) **Patent No.:** **US D671,702 S**

(45) **Date of Patent:** **** Nov. 27, 2012**

(54) **PARTITIONED WASTE CANISTER**

(76) Inventor: **Othaniel Cribbs**, Evergreen Park, IL
(US)

(**) Term: **14 Years**

(21) Appl. No.: **29/417,014**

(22) Filed: **Mar. 29, 2012**

(51) **LOC (9) Cl.** **09-09**

(52) **U.S. Cl.** **D34/7**

(58) **Field of Classification Search** D34/1,
D34/5, 6, 7, 8, 9, 10, 11; 220/908.1, 908,
220/909, 263, 252

See application file for complete search history.

(56) **References Cited**

U.S. PATENT DOCUMENTS

D275,618 S	9/1984	Agard	
5,005,727 A	4/1991	Roth	
5,190,183 A	3/1993	McNaughton et al.	
5,390,813 A	2/1995	Anderson et al.	
5,662,235 A	9/1997	Nieto	
D458,429 S	6/2002	Lenard	
6,626,317 B2	9/2003	Pfiefer et al.	
D526,455 S *	8/2006	Chen	D34/8

7,290,674 B1	11/2007	Ledford	
7,703,622 B1	4/2010	Bynoe	
D656,698 S *	3/2012	Quan	D34/8
D659,933 S *	5/2012	Ligon	D34/7

OTHER PUBLICATIONS

WWW.CONTAINERSTORE.COM; simplehuman® 12 gal. Stainless Steel 2-Bin Recycler; as of Feb. 2, 2012, internet.

* cited by examiner

Primary Examiner — Cynthia Ramirez

(57) **CLAIM**

The ornamental design for a partitioned waste canister, as shown and described.

DESCRIPTION

FIG. 1 is a perspective view of a partitioned waste canister showing my new design;

FIG. 2 is a front view (back view is mirror image) thereof;

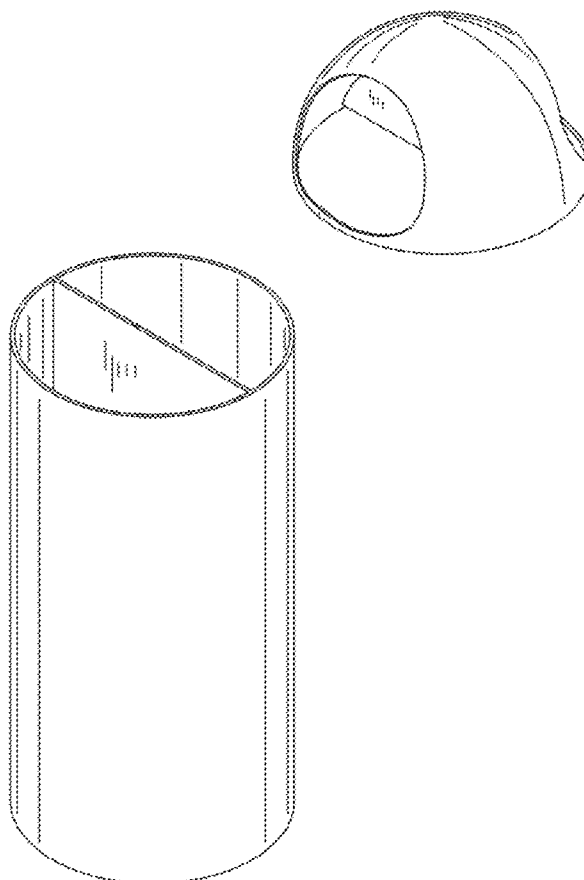
FIG. 3 is a side view (opposite side view is mirror image) thereof;

FIG. 4 is a top view thereof;

FIG. 5 is a bottom view thereof; and,

FIG. 6 is a cross-sectional view of FIG. 2 thereof.

1 Claim, 5 Drawing Sheets



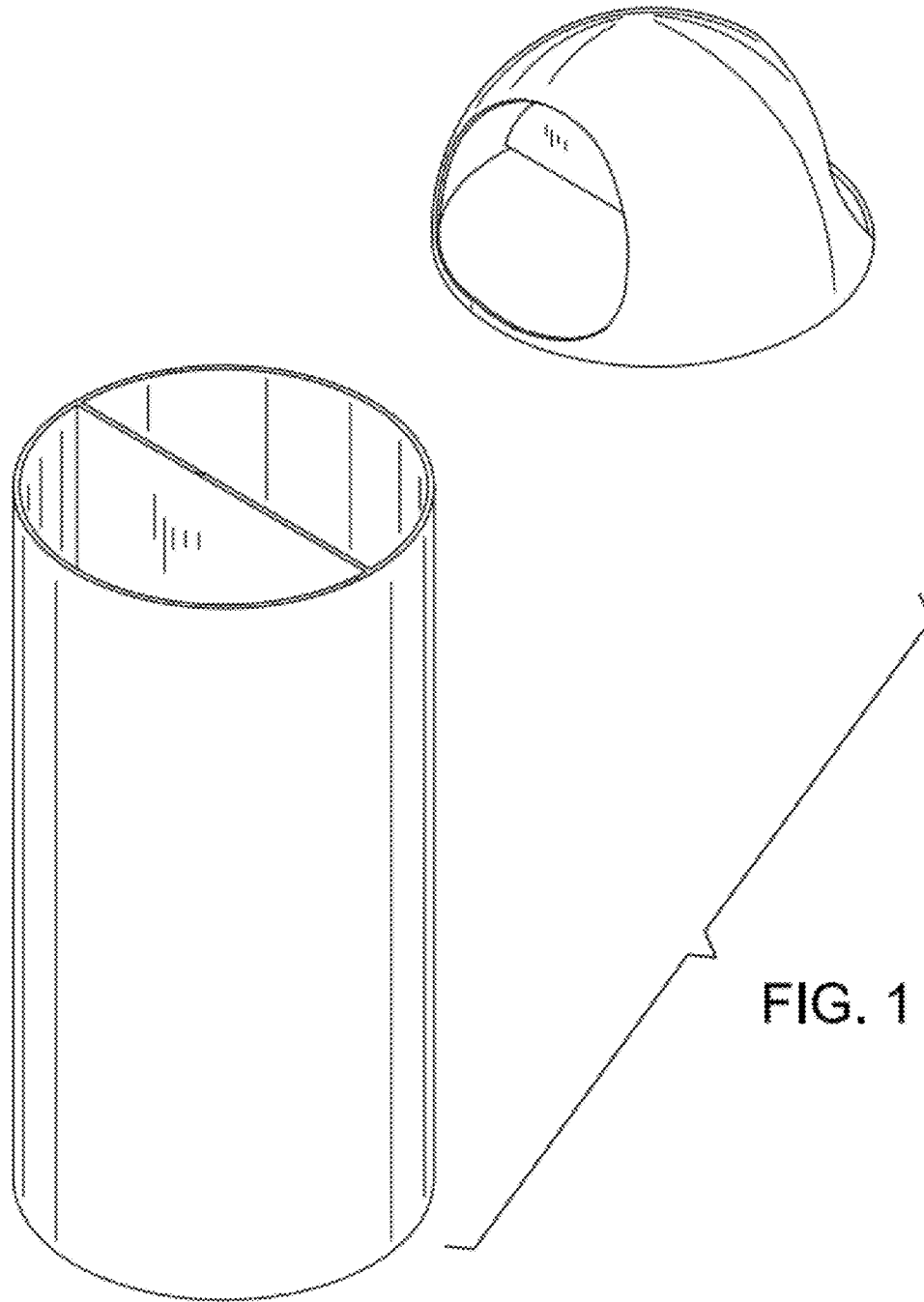
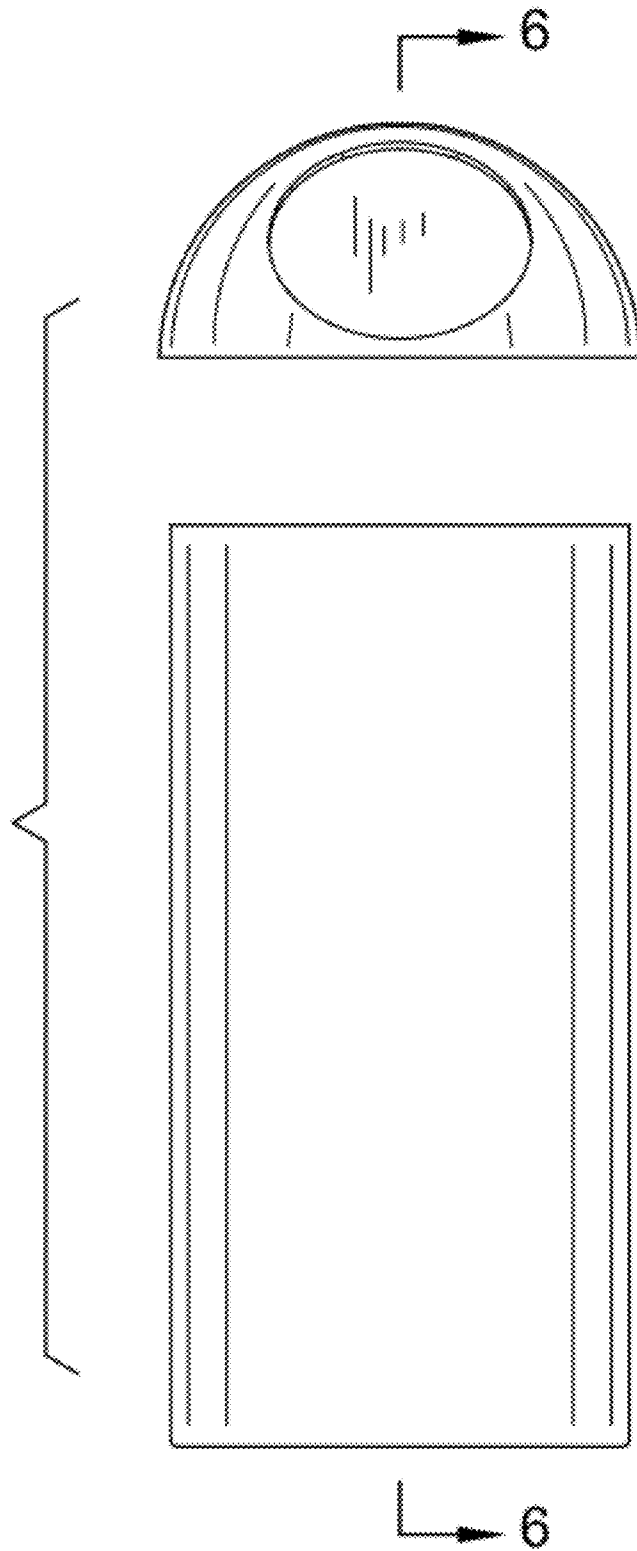


FIG. 1

FIG. 2



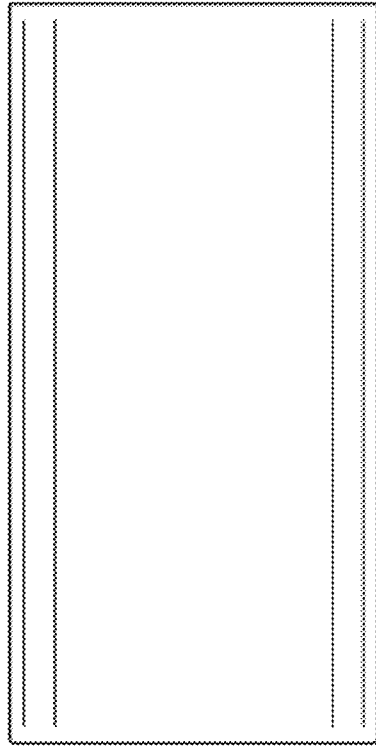
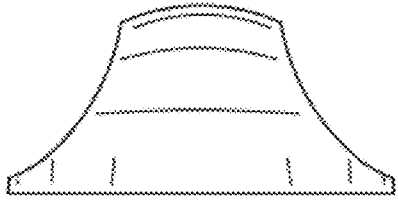


FIG. 3

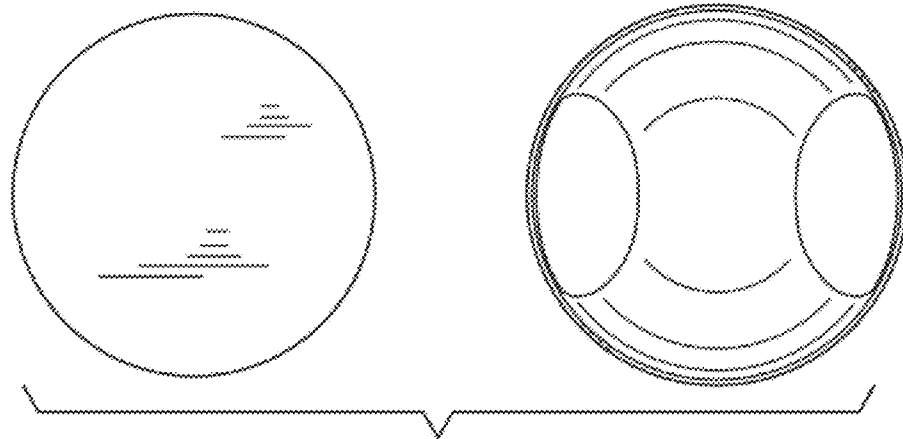


FIG. 5

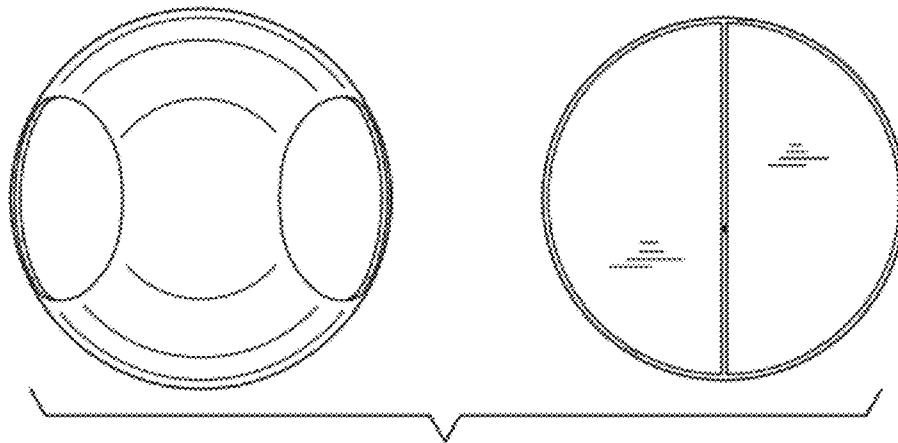


FIG. 4

FIG. 6

