



US008505253B1

(12) **United States Patent**
Medford

(10) **Patent No.:** **US 8,505,253 B1**

(45) **Date of Patent:** **Aug. 13, 2013**

(54) **SHELTER THAT IS CAPABLE OF WITHSTANDING STRONG WINDS**

(71) Applicant: **Holland Medford**, Lihue, HI (US)

(72) Inventor: **Holland Medford**, Lihue, HI (US)

(*) Notice: Subject to any disclaimer, the term of this patent is extended or adjusted under 35 U.S.C. 154(b) by 0 days.

(21) Appl. No.: **13/656,677**

(22) Filed: **Oct. 20, 2012**

(51) **Int. Cl.**
E04B 1/70 (2006.01)
E04F 17/00 (2006.01)

(52) **U.S. Cl.**
USPC **52/302.1**; 52/293.3; 52/204.2; 52/473;
454/284; 454/333

(58) **Field of Classification Search**
USPC 52/92.1, 93.2, 293.3, 302.1, 204.2,
52/473; 454/265, 271-336
See application file for complete search history.

(56) **References Cited**

U.S. PATENT DOCUMENTS

108,110	A	10/1870	Cone	
4,615,158	A	10/1986	Thornton	
4,632,041	A	12/1986	Ohlson	
4,642,952	A	2/1987	Prandin	
4,787,181	A	11/1988	Witten et al.	
5,662,132	A	9/1997	Larsen	
5,689,922	A *	11/1997	Daudet	52/210
5,893,241	A	4/1999	Schroeder	
5,921,043	A	7/1999	McDonald	
5,930,961	A	8/1999	Beaudet	
5,937,591	A *	8/1999	Markey	52/94
5,953,866	A	9/1999	Poole	
5,956,907	A	9/1999	Martin	
5,976,009	A *	11/1999	Achen	454/195
5,979,123	A *	11/1999	Brockman	52/101
5,983,578	A	11/1999	Huttie et al.	

6,003,271	A	12/1999	Boyer et al.	
6,085,475	A	7/2000	Parks et al.	
6,092,340	A *	7/2000	Simmons	52/92.1
6,151,841	A	11/2000	Green	
6,161,345	A	12/2000	Hope et al.	
6,226,932	B1	5/2001	Friedrich	
6,256,960	B1 *	7/2001	Babcock et al.	52/592.1
6,308,466	B1	10/2001	Moriarty	
6,334,278	B1	1/2002	Arnold	
6,349,508	B1	2/2002	Ju et al.	
6,385,919	B1	5/2002	McCarthy	
6,385,920	B1	5/2002	Chandler	
6,389,762	B2 *	5/2002	Le Poire	52/204.2
6,393,776	B1	5/2002	Waller	
6,401,409	B1	6/2002	Martin	
6,412,231	B1	7/2002	Palatin	
6,415,557	B1	7/2002	McCalley	
6,415,558	B1	7/2002	Cherry	
6,430,881	B1 *	8/2002	Daudet et al.	52/92.2
6,434,896	B1	8/2002	Mitchell	

(Continued)

Primary Examiner — Brian Glessner

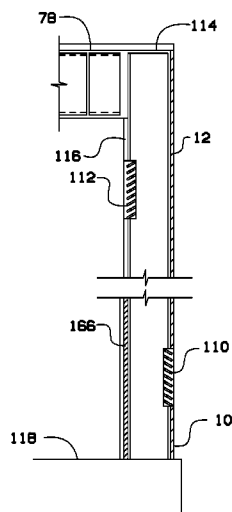
Assistant Examiner — Brian D Mattei

(74) *Attorney, Agent, or Firm* — Plager Schack LLP

(57) **ABSTRACT**

A shelter is capable of withstanding extreme winds. The shelter comprises a concrete foundation mechanically coupled to a lower continuous track by an anchor bolt. The lower continuous track is mechanically coupled to load bearing studs and second load bearing studs. The load bearing studs and second load bearing studs are mechanically coupled to an upper continuous track. The arrangement of studs secured between two tracks provides additional stability against variable wind loads that normally damage buildings. The load bearing studs are arranged with second load bearing studs to create walls, where the walls are covered by a first exterior layer and a second exterior layer. The first exterior layer plates provide protection against live force loads and the second external layer provides protection against vibration. The upper continuous track is mechanically coupled to roofing.

3 Claims, 6 Drawing Sheets



(56)

References Cited

U.S. PATENT DOCUMENTS

6,438,906	B1	8/2002	Komarowski et al.	2002/0184837	A1	12/2002	Shelton	
6,490,830	B2	12/2002	Ruan	2003/0024174	A1*	2/2003	Bonds et al.	52/79.1
6,546,679	B1*	4/2003	Bushberger	2003/0167708	A1	9/2003	Shaw	
6,938,381	B1	9/2005	Villa	2003/0172596	A1	9/2003	Talley	
6,948,281	B1	9/2005	Carmichael	2004/0123783	A1	7/2004	Dang et al.	
7,237,362	B2	7/2007	Bishop	2004/0163337	A1	8/2004	Claerbout	
7,442,949	B2	10/2008	Foster	2004/0168620	A1	9/2004	Vitale et al.	
7,458,305	B1	12/2008	Horlander et al.	2005/0262795	A1	12/2005	Hudson	
7,527,663	B2	5/2009	Riedo	2006/0096192	A1*	5/2006	Daudet	52/204.1
7,690,159	B1	4/2010	Arnold	2006/0143995	A1	7/2006	Beal	
7,716,899	B2*	5/2010	Beck et al.	2006/0254167	A1*	11/2006	Antonic	52/293.3
8,091,316	B2*	1/2012	Beck et al.	2008/0155912	A1*	7/2008	Frobosilo	52/204.2
2001/0037615	A1	11/2001	Riech	2009/0064604	A1	3/2009	Yamaguchi	
2001/0039770	A1	11/2001	Arnold	2010/0236158	A1*	9/2010	Carbonaro	52/92.1
				2011/0225912	A1*	9/2011	Achen	52/302.1
				2012/0233946	A1*	9/2012	Espinosa	52/293.3

* cited by examiner

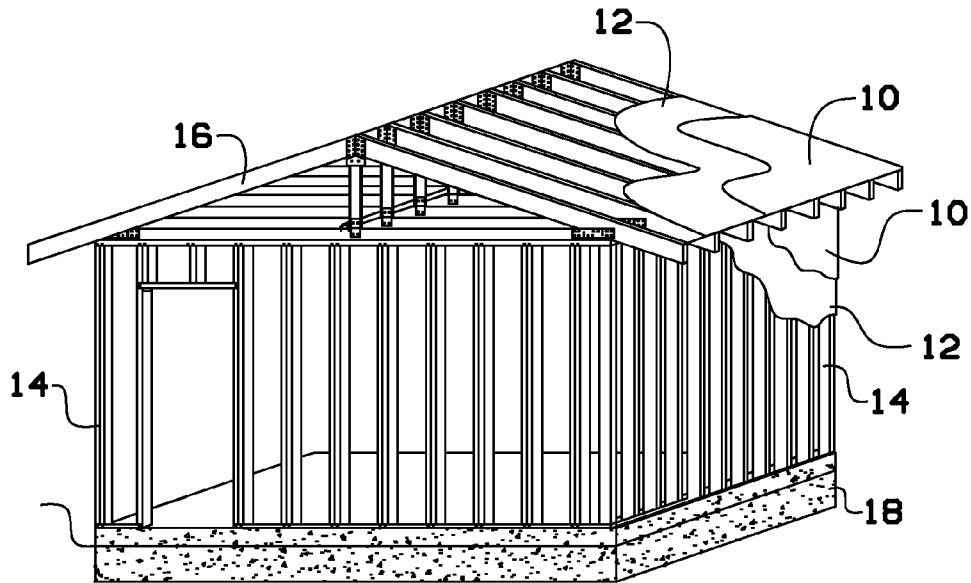


FIG. 1

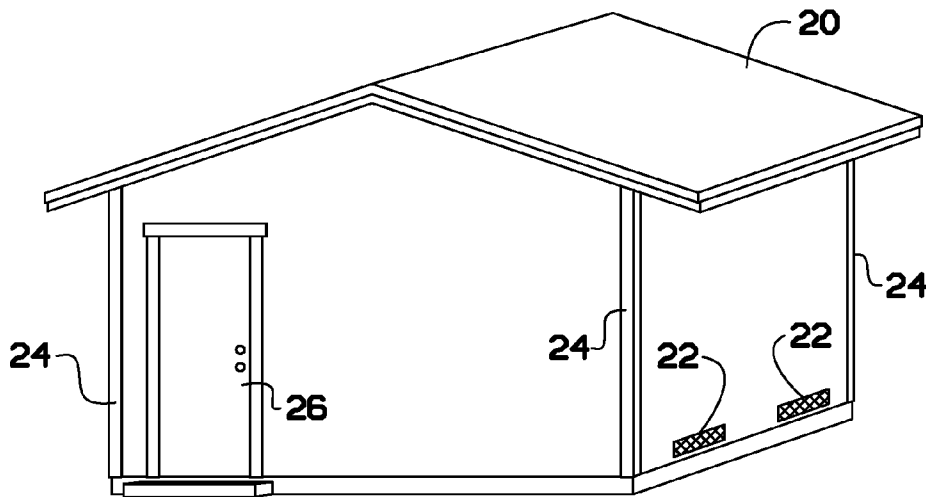
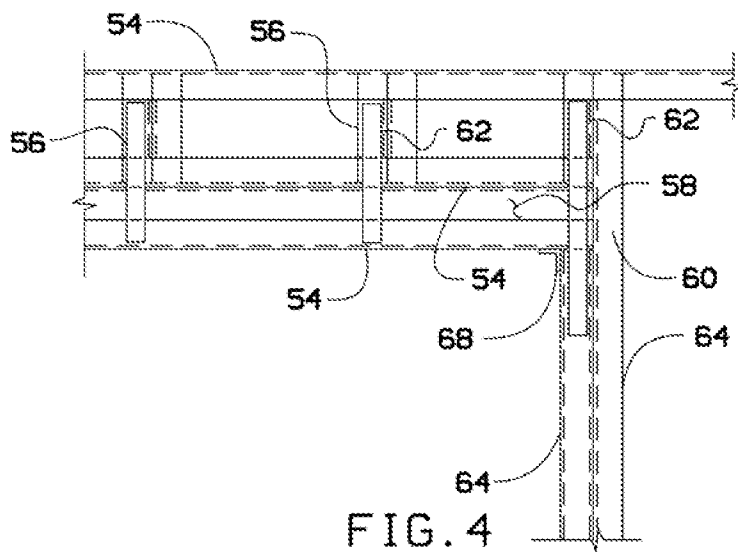
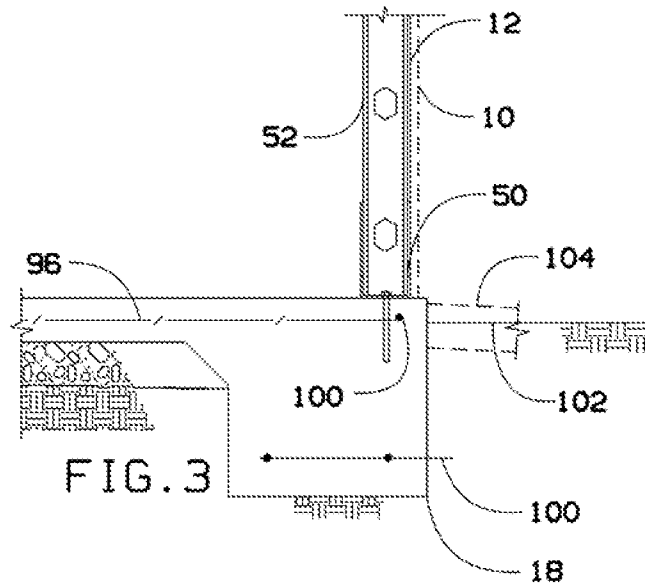


FIG. 2



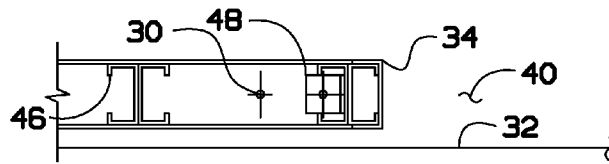


FIG. 5

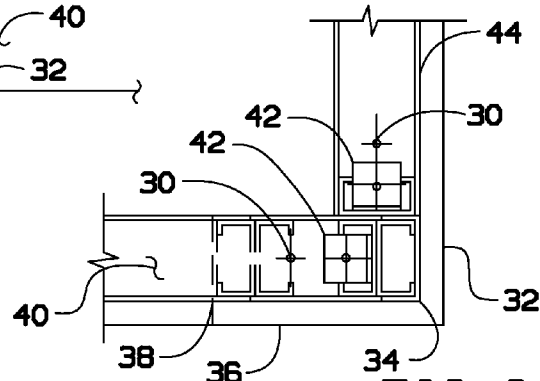


FIG. 6

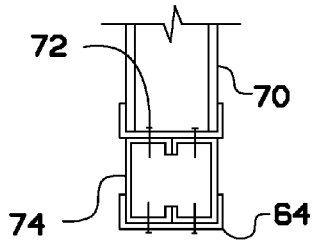


FIG. 7

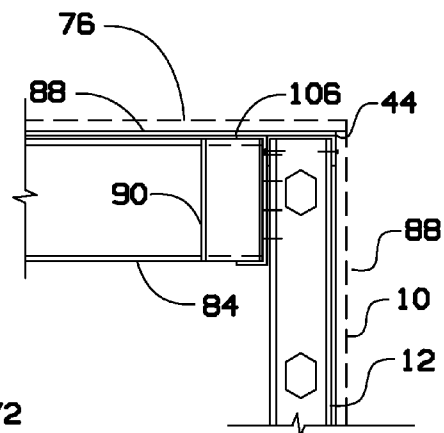


FIG. 8

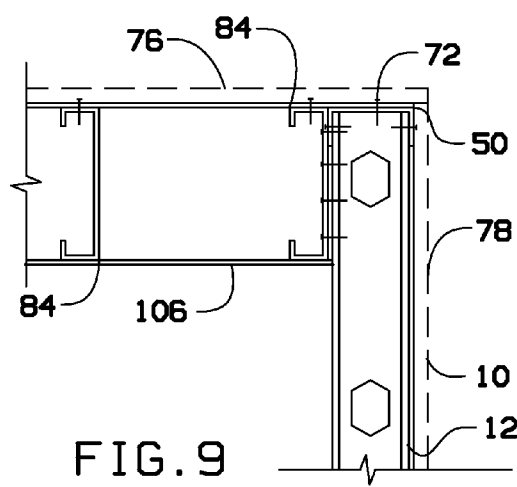


FIG. 9

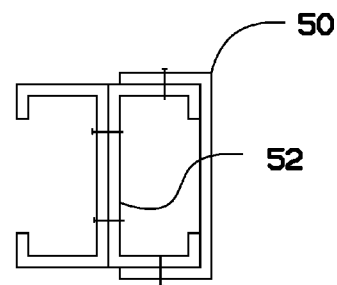
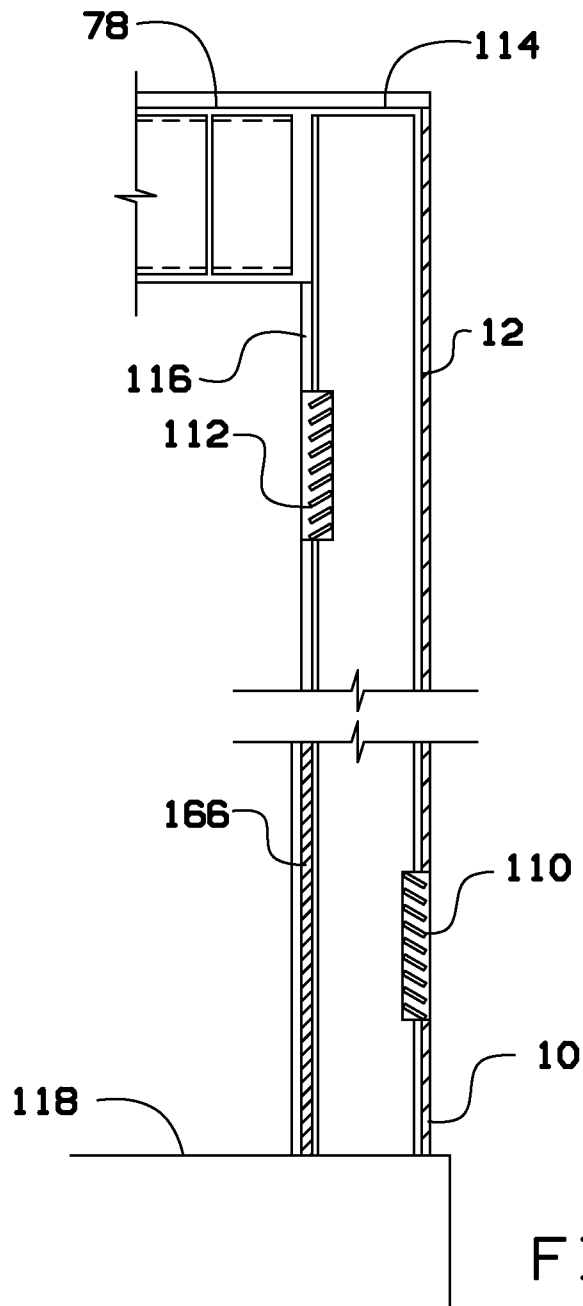


FIG. 10



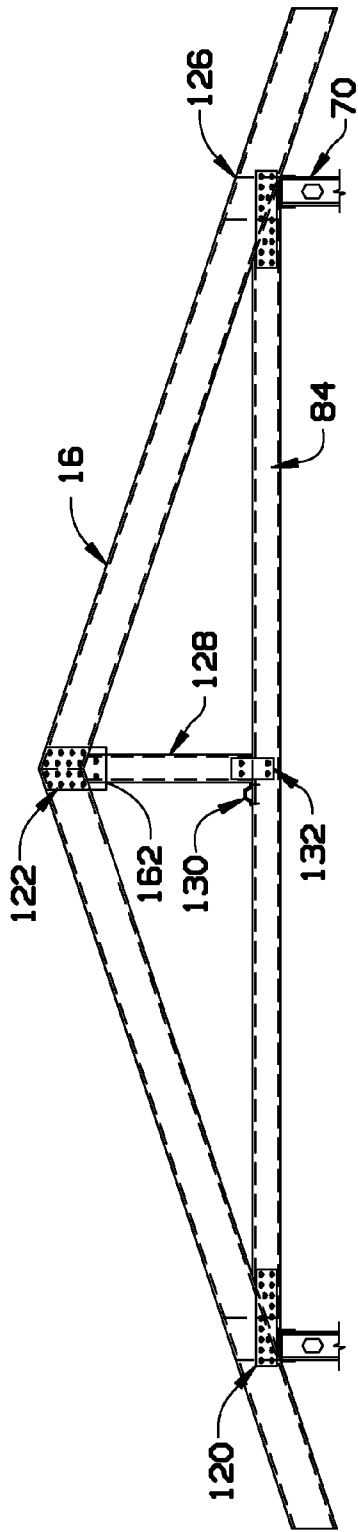


FIG. 12

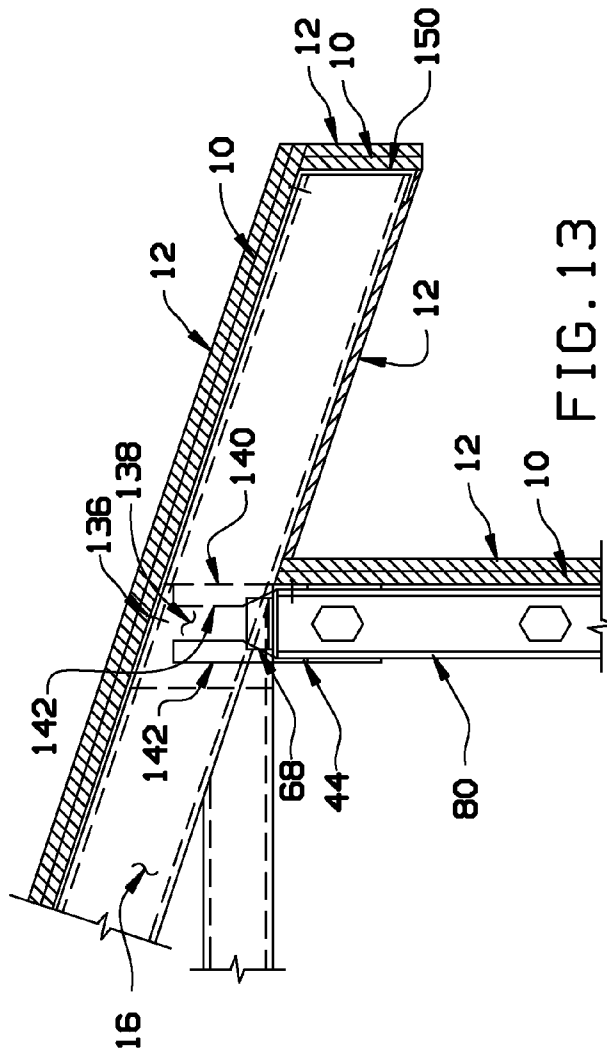
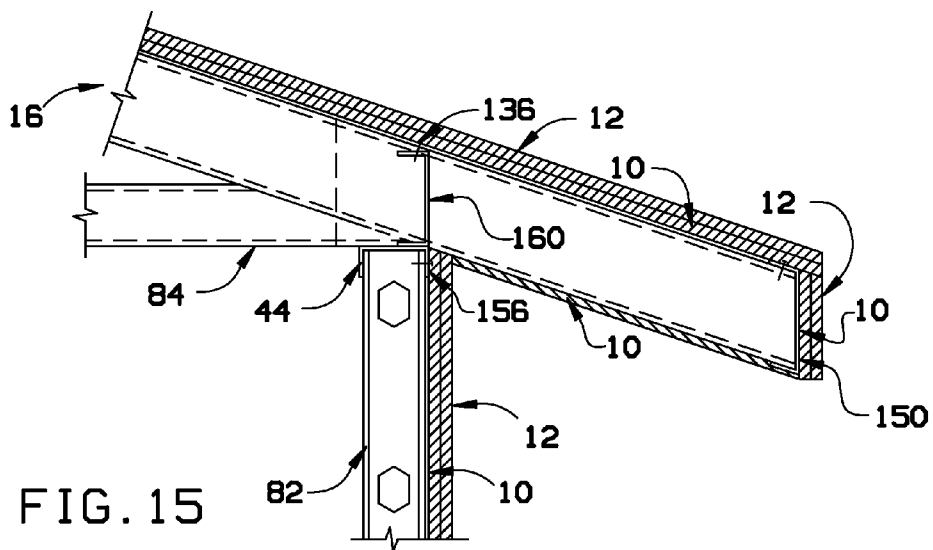
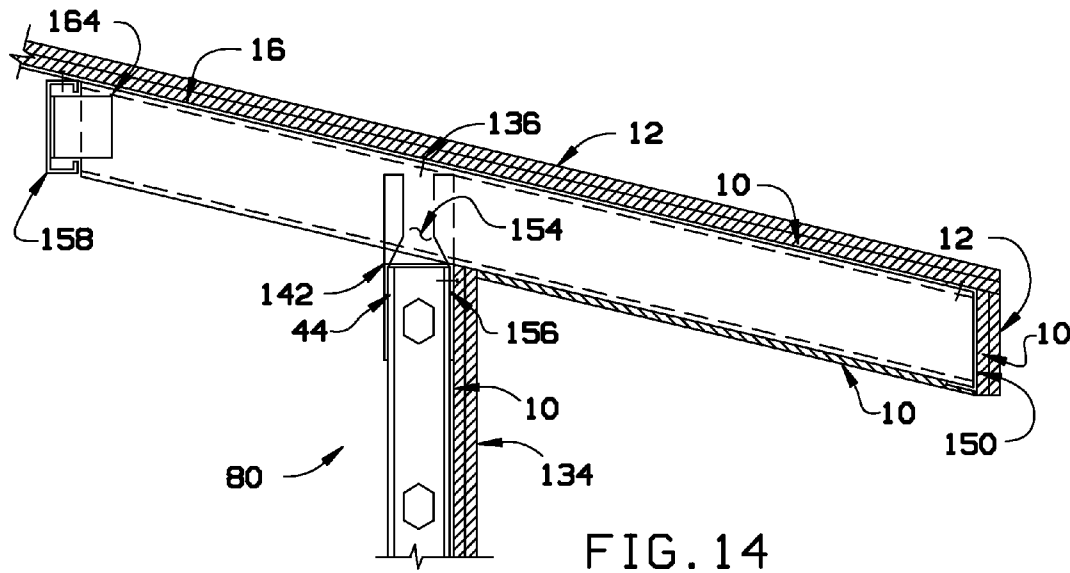


FIG. 13



1

SHELTER THAT IS CAPABLE OF WITHSTANDING STRONG WINDS

FIELD OF THE INVENTION

This invention relates to structures used to house individuals during inclement weather.

BACKGROUND OF THE INVENTION

Extreme weather has existed throughout recorded history. Storms that created 250 miles per hour (mph) wind loads such as hurricanes, tornadoes, and high velocity straight winds have historically caused massive damage to structures and escaped a meaningful solution.

Turning to the prior art, U.S. Pat. No. 4,787,181 issued to Witten describes a shelter and construction method where two complementarily positioned shells would shield the inside of the shell from electromagnetic waves. Among other differences Witten uses corner caps instead of concrete feet. The lack of a secure footing would make Witten susceptible to damage in a storm.

Similar to Witten, U.S. Pat. No. 5,662,132 issued to Larsen contains a structure designed to be used indoors in the event of an earthquake. Larsen has an open construction which would evade implosion in a hurricane or tornado, however this pole construction would not handle a 125 psf live load, from a side. Larson would be able to protect a user's head, but that is about it.

U.S. Pat. No. 6,415,557 issued to McCalley teaches a protective structure. McCalley takes a slightly different approach that the present invention. The present invention utilizes tracks held into a footing with anchor bolts. McCalley teaches a large number of bolts linking a series of C-shaped studs. McCalley attempts to answer the same challenge as the disclosed invention, but does so ineffectively because the lack of vents and unknown doors do not protect the external structure from implosion or debris damage.

BRIEF SUMMARY OF THE INVENTION

A shelter is capable of withstanding extreme winds. The shelter comprises a concrete foundation mechanically coupled to a lower continuous track by an anchor bolt. The lower continuous track is mechanically coupled to load bearing studs and second load bearing studs. The load bearing studs and second load bearing studs are mechanically coupled to an upper continuous track. The arrangement of studs secured between two tracks provides additional stability against variable wind loads that normally damage buildings. The load bearing studs are arranged with second load bearing studs to create walls, where the walls are covered by a first exterior layer and a second exterior layer. The steel plates provide protection against live force loads and the plywood provides protection against vibration. The upper continuous track is mechanically coupled to roofing.

In some embodiments, walls have an interior surface and an exterior surface. The interior surface is perforated with an adjustable louvered vent. The exterior surface is perforated with a fixed louvered vent. This enables the shelter to rapidly adjust to changing pressure and avoid implosion.

Lintel tracks are mechanically coupled to the upper continuous track with a clip and straps. Each lintel track is mechanically coupled to a lintel stud which is further mechanically coupled to an unpunched stud lintel. The lintel stud is mechanically coupled to a door rated to withstand a category five hurricane.

2

The roofing further comprises the upper continuous track is mechanically coupled to a joist and a truss and the truss is covered by the first exterior layer and the second exterior layer such where the truss protect the shelter from vibrations and negative pressure caused by high winds.

BRIEF DESCRIPTION OF THE SEVERAL VIEWS OF THE DRAWINGS

Having thus described the invention in general terms, reference will now be made to the accompanying drawings, which are not necessarily drawn to scale, and wherein:

FIG. 1 is a perspective cut-away view of the invention.

FIG. 2 is a perspective view of the invention.

FIG. 3 is a schematic detail of the exterior steel stud wall footing.

FIG. 4 is a schematic detail of the typical exterior wall lintel—in particular the typical lintel bearing.

FIG. 5 is a plain view of the typical interior door jamb connection to the foundation.

FIG. 6 is a plain view of the typical corner stud connection to foundations.

FIG. 7 is a schematic detail of the typical exterior wall lintel—in particular the lintel section.

FIG. 8 is a schematic detail of a roof joist connection to a bearing stud wall.

FIG. 9 is a schematic detail of a roof joist connection to a second bearing stud wall.

FIG. 10 is a schematic detail of a typical built-up jamb studs with track.

FIG. 11 is a section view of the vents in the stud wall.

FIG. 12 is an elevation view of a typical built-up truss.

FIG. 13 is a section view of a truss bearing at a stud wall.

FIG. 14 is a section view of a corner beam bearing at a stud wall.

FIG. 15 is a section view of a truss blocking at a stud wall.

DETAILED DESCRIPTION OF THE INVENTION

Embodiments of the present invention overcome many of the obstacles associated with creating a structure of sufficient strength to weather a severe storm, and now will be described more fully hereinafter with reference to the accompanying drawings that show some, but not all embodiments of the claimed inventions. Indeed, the invention may be embodied in many different forms and should not be construed as limited to the embodiments set forth herein. Rather, these embodiments are provided so that this disclosure will satisfy applicable legal requirements. Like numbers refer to like elements throughout.

FIG. 1 shows a perspective view of the invention. Concrete footing 18 can support stitched stud 14 as shown in more detail in FIG. 3. Stitched stud 14 is a vertical member that travels upward from a bottom where concrete footing is located to a top where stitched stud 14 can be mechanically coupled to truss stud 16 for load bearing studs discussed below. A plurality of stitched studs can be covered with first exterior layer 12 and then second exterior layer 10 form an exterior wall. Likewise, a plurality of truss studs 16 can be covered with first exterior layer 12 and then second exterior layer 10 to form a first roof surface.

To build the shelter that is capable of withstanding strong winds, a user should first set up the frame, where the frame comprises the studs in the concrete footing and the truss as described below. Next, the frame is covered with first exterior layer 12, second exterior layer 10 and a finished exterior layer such as a finished wall or roofing materials.

FIG. 2 shows a completed shelter that is capable of withstanding strong winds. The exemplary structure is FIG. 2 has four walls in a parallelepiped arrangement with each side of the parallelepiped having a corner. In some embodiments, each corner can have trim 24. The first roof surface is covered with asphalt shingles 20. At least one side of shelter that is capable of withstanding strong winds further comprises fixed louvered vents 22 as shown in FIG. 11. A user can access the shelter that is capable of withstanding strong winds through door 26.

Where a stitched stud 14 contacts concrete footing 18 there is an exterior steel stud wall footing which is shown in more detail in FIG. 3 the wall footing for an exterior steel stud in a corner is shown in FIG. 6. Turning from the bottom of stitched stud 14 to the top of stitched stud 14, where stitched stud 14 connects to a roof joist there are two different connections depending on whether stitched stud 14 is load bearing. A roof joist connection to a bearing stud wall is shown in FIG. 8. A roof joist connection to a second bearing stud wall is shown in FIG. 9. Over door 26 there is a lintel. The typical lintel bearing is shown in FIG. 4. The lintel section is shown in FIG. 7. On the side of the lintel there are built-up jamb studs with a track as shown in 5.

In the preferred embodiment, the fixed louvered vent is a 8 inch by 12 inch fixed louvered vent. Door 26 is a FEMA 320 Storm Door, if other doors are tested to be adequate to withstand a category five hurricane, those doors may also work.

FIG. 3 shows a detail section view of the exterior steel stud wall footing. Concrete footing 18 comprises rebar 100. Concrete footing 18 further comprises welded wire fabric 96. Concrete footing 18 is mechanically coupled to lower track 50 by a plurality of anchor bolts. A plurality of studs 52 slide into lower track 50 and are mechanically coupled to lower track 50 as shown in FIG. 10. Stud 50 are covered with first exterior layer 12 and then second exterior layer 10. Concrete footing 18 is attached to exterior concrete slab 102, which comprises finished grade 102.

In the preferred embodiment, rebar 100 is 3 #4 continuous steel rebar. Lower track 50 is a 4 inch by 2 inch by 14 gauge steel track of a length determined by the user. Stud 52 is a 4 inch by 2 inch by 14 gauge steel track with #10 screws at 8 inch on center staggered. First exterior layer 12 is 12 gauge steel sheeting 78. Second exterior layer 10 is 3/4" or 5/8" plywood. The exterior wall can be made of any known material.

FIG. 4 shows a typical lintel bearing. Here, stitched stud 14 is lintel stud 60 that runs from the lower track 50 (not shown) to continuous top track 54 in lintel track 64. A user can slide lintel stud 60 into lintel track 64 as shown in more detail in FIG. 7. Lintel track 64 is mechanically coupled to continuous top track 54 by clip 68 and straps 62. Straps 62 hold continuous top track 54 into continuous top track 54. Continuous top track 54 is mechanically coupled to double steel studs 56 with straps 62. The top of the doorway is held in place by unpunched stud lintel 58. Which rests on continuous upper track 54 between lintel stud 60 on both sides of the lintel.

In the preferred embodiment, straps 62 are Simpson cs16 straps, clips 68 is a Simpson A33 clip with 3 #10 screws on each leg. Unpunched stud lintel 58 is made of steel.

FIG. 5 shows the relationship of a door jamb to the foundation proximate door 40. The edge of concrete slab 32 is mechanically coupled to housing 34. Housing 34 holds horizontal studs 46 as necessary. Housing 34 is held into place by anchor bolt 30 and stud 46 is held in place by hold down 48.

In the preferred embodiment, housing 34 comprises 4 inch by 2 inch 14 gauge Studs and a four inch by two inch by 14 gauge track at the corner. Anchor bolt 30 is a 1/2 inch Simpson

Titan heavy duty anchor bolt. Hold down 48 is a Simpson s/htt14 hold down with a 5/8 inch hex head anchor bolt.

FIG. 6 shows a typical corner stud connection to a foundation. Edge of concrete 32 is mechanically coupled to floor stud track 44. Housing 34 holds horizontal studs 46 as necessary as shown in FIG. 5. Housing 34 is held into place by anchor bolt 30 and stud 46 is held in place by hold down 42. The exterior of stud track 44 along the wall is covered with plywood 36. The build-up door jamb begins at point 38 and continues to door 40 as noted in FIG. 5.

In the preferred embodiment, hold down 42 is a Simpson s/htt14 hold down with a 5/8 inch hex head anchor bolt.

FIG. 7 shows an overhead detail of lintel track 64 mentioned above. Lintel track 64 is mechanically coupled to lintel 74 by two screws 72. Similarly, lintel 74 is mechanically coupled to the wall of lintel stud 60 (shown here as stud wall 70) by two screws 72.

In the preferred embodiment, lintel 74 is a 4 inch by two inch 14 gauge lintel. Screw 72 is a #10 steel screw.

FIG. 8 shows a schematic detail of a roof joist connection to a bearing stud wall. Truss stud 16 is shown here as load bearing stud 82. Load bearing stud 82 is covered by first exterior layer 12 and second exterior layer 10 as noted above. Load bearing stud 82 is mechanically coupled to continuous upper track 44. Continuous upper track 44 is covered by plywood 88 and roofing 76. Continuous upper track 44 is mechanically coupled to joist track 106. Joist 84 is mechanically coupled to joist track 106 and is mechanically coupled to load bearing stud 82 by stiffener 90. Roofing 76 is shown in more detail in FIG. 12, FIG. 13, FIG. 14, and FIG. 15 below. As used here, roofing means simply where the roof begins as a point of reference.

In the preferred embodiment, load bearing stud 82 is a 4 inch by 2 inch 14 gauge stud every 16 inches on center. Joist 84 is a 6 inch by 2 inch by 14 gauge joist. Joist track 106 is a continuous 6 inch by two inch by 14 gauge track with 3 number 10 screws on each double stud.

FIG. 9 shows a roof joist connection to a second bearing stud wall. Truss stud 16 is shown here as second load bearing stud 82. Second load bearing stud 82 is mechanically coupled to continuous upper track 50. As used here, second load bearing stud 82 refers to a stud that is designed to be subjected to large uplift wind loads and horizontal wind loads. Continuous upper track 50 is mechanically coupled to joist track 106. Joist 84 is mechanically coupled to joist track 106 and is mechanically coupled to second load bearing stud 82 by a series of screws. Joist 84 is covered by roofing 76 as noted above.

FIG. 10 shows built up jam with studs and track. Continuous lower track 50 is mechanically coupled to studs 52 by a series of screws. In the preferred embodiment, continuous track 50 is a 4 inch by 2 inch by 14 gauge track. Stud 52 is a 4 inch x 2 inch x 14 gauge with #10 screws at 8 inches on center staggered.

FIG. 11 shows a section view of the vents in the stud wall. Flooring 118 is mechanically coupled to truss stud 16 as indicated above. Between truss studs 16 there is a space covered by first exterior layer 12 and second exterior layer 10 on an exterior surface and interior wall 116 on an interior surface. Interior wall 116 is mechanically coupled to support plate 166. Support plate 166 prevents penetration of wind-blown debris into the interior through fixed louvered vent 110. An exterior surface is perforated by fixed louvered vent 110 closer to the flooring 118 and an interior surface is perforated by adjustable louvered vent 112 closer to the ceiling. One of the unique features of the present invention is the ability to resist implosion, the ability of the structure to rap-

5

idly adjust to external pressure substantially increases survivability in hurricanes, tornadoes and other low pressure storms.

In the preferred embodiment, support plate **166** is a 20 inch by 24 inch by 12 gauge steel plate affixed to interior wall **116** directly across from fixed louvered vent **110**. The bottom fixed louvered vent is preferably 8 inches by 12 inches.

FIG. **12** shows an elevation view of a typical built-up truss. Stud wall **70** is made of load bearing studs **82** as noted in FIG. **8** above. Stud wall **70** is mechanically coupled to truss stud **16** and joist **84** by gusset **120** which can be strengthened by stiffener **126**. Joist **84** is mechanically coupled to wind brace **128** by gusset **132**. Hanging beam **130** supports wind brace **132**. Wind brace **132** is mechanically coupled to truss stud **16** a tridge **164** with gusset **122**.

In the preferred embodiment, truss stud **16** is a 2 inch by 6 inch by 14 gauge top chord. Wind brace **128** is a 2 inch by 4 inch by 14 gauge steel beam. Stiffener **126** is a 14 gauge track chord. Gusset **120** is a 14 gauge gusset affixed to stud wall **70** with eight #10 screws and affixed to joist **84** with 8 #10 screws. Gusset **132** has two #10 screws in joist **84** and two #10 screws in wind brace **128**. Gusset **122** is a **122** has eight #10 screws in each truss studs **16** and two #10 screws in wind break **128**. Ridge **164** shown in more detail in FIG. **14** below.

FIG. **13** shows a section view of a truss bearing at stud wall **70**. Here two load bearing studs **82** are immediately adjacent to each other. Load bearing studs **82** are mechanically coupled to continuous upper track **44** by clips **68**. Truss **16** is mechanically coupled to upper track **68** by twist straps **142**. The space between twist straps **142** creates bay **138**. Truss stud **16** is mechanically coupled to first exterior layer **12** and second exterior layer **10** by fastener **136**. Note that truss stud **16** comprises curved portion **150** which is also covered by first exterior layer **12** and second exterior layer **10** on a first side and first exterior layer **12** on a second side.

In the preferred embodiment, twist straps **142** are Simpson LTS 13 gauge twist straps.

FIG. **14** shows a section view of a corner beam bearing at stud wall **70**. At a corner of the shelter capable of withstanding extreme winds, load bearing studs **146** are mechanically coupled to truss stud **16** with twist straps **142** creating corner bay **154** as noted above. Load bearing studs **146** are enhanced in corners with track stiffener **156**. Truss stud **16** is mechanically coupled to ridge **164** with clip **158**.

In the preferred embodiment, ridge **164** a 4 inch by 4 inch by 14 gauge top chord and clip **158** is a 4 inch by 4 inch by 14 gauge long clip angle with four #10 screws on each leg. Track stiffener **156** is a 14 gauge track stiffener by 6 inches long at each outrigger.

6

FIG. **15** is a section view of a truss blocking at a stud wall. Load bearing stud **82** is mechanically coupled to continuous upper track **44** as noted in FIG. **8** above and can be enhanced with stiffener **156**. Here, continuous upper track **144** is mechanically coupled to parallel track **160**. Parallel track **160** is blocking each bay **154**.

In the preferred embodiment, parallel track **170** is a 6 inch by 2 inch by 14 gauge track blocking each bay with two #10 screws to the top track.

The invention claimed is:

1. A shelter capable of withstanding extreme winds, the shelter comprising

a concrete foundation mechanically coupled to a lower continuous track by an anchor bolt; the lower continuous track is mechanically coupled to a plurality of studs; plurality of studs are mechanically coupled to an upper continuous track forming an arrangement of studs; the arrangement of studs secured between two tracks provides additional stability against variable wind loads that normally damage buildings;

the plurality of studs are arranged to create walls, where the walls are covered with a first exterior layer and a second exterior layer; such that the first exterior layer provides protection against live force loads and the second exterior layer provides protection against vibration;

the walls have an interior surface and an exterior surface; the interior surface is perforated with an adjustable louvered vent; the exterior surface is perforated with a fixed louvered vent; such that the position of the fixed louvered vent is staggered from the position of the adjustable louvered vent enabling the shelter to rapidly adjust to changing pressure and avoid implosion while simultaneously preventing the life force load from penetrating the walls; and

the upper continuous track is mechanically coupled to roofing.

2. The shelter of claim 1,

the lintel tracks are mechanically coupled to the upper continuous track with a clip and straps; each lintel track is mechanically coupled to a lintel stud which is further mechanically coupled to an unpunched stud lintel; the lintel track is mechanically coupled to a door rated to withstand a category five hurricane.

3. The shelter of claim 1, the roofing further comprises a joist and a truss mechanically coupled to the upper continuous track and the truss is covered by a first roof exterior layer and a second roof exterior layer such where the truss protect the shelter from vibrations and negative pressure caused by high winds.

* * * * *